


EN



75.1

# manual Drive

PRODUCT BOOK 75.1 

MANUAL DRIVE

CHERUBINI







We believe in the power of constant evolution.

We put all our energy into motion, in the pursuit of systems that make life more comfortable and sustainable.

We chose to listen and co-design because we know that the most effective ideas come from working together.

Together with our customers and partners, we contribute to the improvement of living spaces with complete sun protection solutions: efficient, versatile and reliable.

Our Italian roots are an essential part of who we are. We are proud of our history as an industrial family and grateful to the people who make it possible for us to grow as an international group today.

We value this precious heritage of skills and passion in everything we do, constantly pushing us to be better, surpassing ourselves every day.

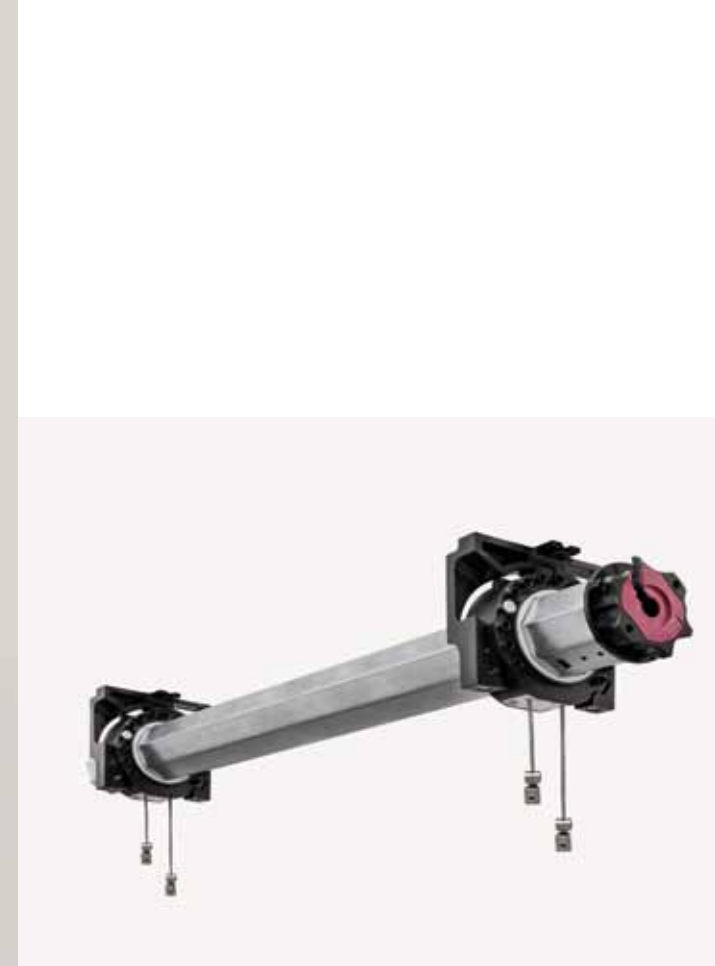
Beyond expectations, beyond results, we always ask for more.

**EXPECT MORE**



# Doge

tilter for  
tubular motor.



Doge System, the new solution for  
the automation of Venetian blinds.



We have developed a new type of tilter for the specific application on rollers for shutters: **an innovative solution that allows the most efficient movement of Venetian blinds through the use of a tubular motor.**

The system, consisting of tilter and Doge RX tubular motor, is designed to allow roller shutters and Venetian blinds to be motorised using the same technology, for example by integrating the Venetian blinds on the south side of a building.

Featuring a larger diameter to be installed on a tube, **the tilter makes it faster to pack and open slats**, even with the possibility of side installation.

The Doge RX tubular motor provides precision and power in the automation of even large Venetian blinds, up to 7.5 m high and over 3 m wide.





# Magnet joint

The patented system.



The space-saving patent, easy to install and use, for the automatic coupling and release of the handle.

The magnetic universal joint is the compact and versatile alternative to the eyelet and the bayonet system.

**The magnetic universal joint system is designed for the possibility of hooking and removing the crank at will, through a simple and immediate gesture.**



Thus, it is possible to use the crank only when necessary, even in situations of limited space, in combination with motors with integrated manual override or in public environments such as schools, hospitals and gyms, avoiding the activation of the sun protection by unauthorized personnel and allowing to use a single crank for multiple devices.



## **Accessories for Venetian blinds**

page 12

## **Accessories for rolling shutters**

page 32

## **Cranks and universal joints**

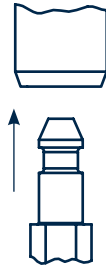
page 52

## **Accessories for awnings**

page 98



# Technology



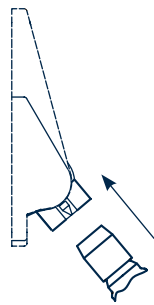
## Fast-coupling crank

Plug-in system for quick and precise installation of rods in various sizes and lengths. Simply insert the rod into its seat and exert a slight pressure to hook it up.



## Covering handle

The elegant and functional solution to enhance the aesthetics of the foldable handle when not in use. The handle covers the connection between crank and tube by sliding along the straight rod.



## Modular system

Compose your own fast-coupling universal joint system by selecting sizes, diameters, colours and shapes of the components among the available variants. For maximum versatility, in the warehouse and on site.

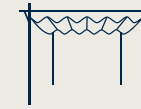
# Symbols legend



**Awnings**



**Screens and mosquito nets**



**Pergola**



**Adjustable shutters**



**Rolling shutters**



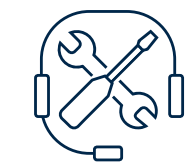
**Venetian blinds**

# Services



## Training

We are committed to training as the foundation for proper counselling and installation of our products. The aim of our training courses for professional installers is to prepare our clients and their installers in technical training and sales counselling.



## Technical service

Assistance in the installation, dealing by phone with a technician from the Cherubini team, or resolving pre-installation queries.

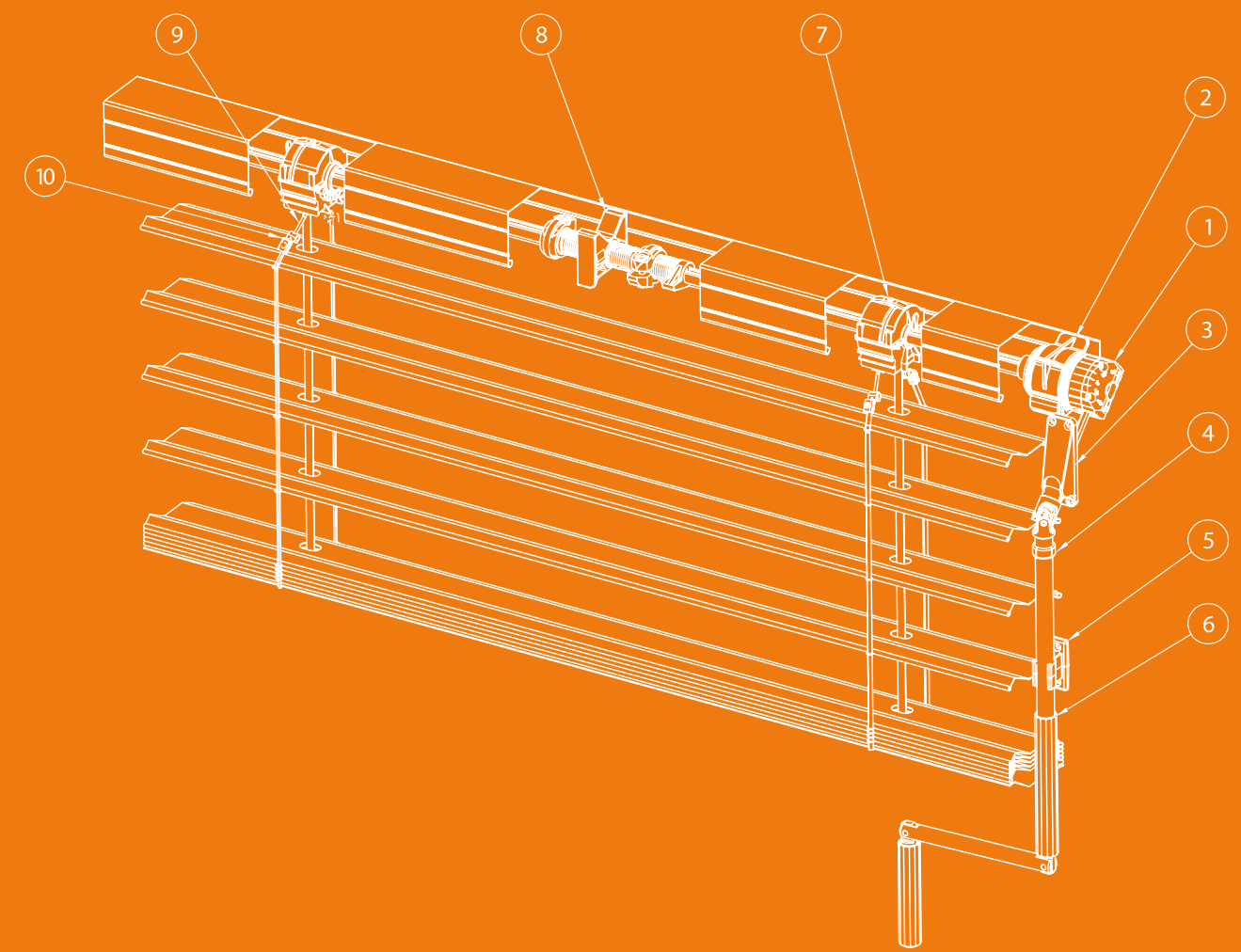


## Technical-sales team

The technical-sales team will assist in identifying your needs so they can offer the most adequate product. Sales and technical counselling and support for projects and estimates. Direct phone contact with the client and the installation for on-site solutions to any incident or query.



# Accessories for Venetian blinds



- 1) GEAR
- 2) BRACKET FOR GEAR
- 3) UNIVERSAL JOINT WITH PLATE
- 4) FIXING CLIP
- 5) CRANK HOLDER
- 6) FOLDABLE CRANK
- 7) TILTER
- 8) STOP
- 9) BALL CORD
- 10) BALL COUPLING



# Accessories for Venetian blinds



## SELECTION TABLES

PRODUCT FAMILY	DESCRIPTION	REDUCTION RATIO	EFFICIENCY	MAX. OUTPUT TORQUE	OPERATING TORQUE*	PAGE
<b>7006</b>	Bevel gear 3:1	3 : 1	0,6	6,0 Nm	18,5 N	P. 16
<b>7012</b>	Bevel gear 1,8:1	1,8 : 1	0,6	5,0 Nm	25,7 N	P. 18
<b>7014</b>	Bevel gear 1,8:1	1,8 : 1	0,6	5,0 Nm	25,7 N	P. 19

\* Crank lever arm length: 180 mm

PRODUCT FAMILY	DESCRIPTION	INPUT OUTLINE	HEADRAIL	MAX TORQUE APPLIED	PAGE
<b>7101</b>	Stop with 1 bracket	☰ 14, ☐ 12	58x56	6,0 Nm	P. 22
<b>7102</b>	Stop with 2 brackets	☰ 14, ☐ 12	58x56	6,0 Nm	P. 22
<b>7121</b>	Stop with 1 bracket	☰ 14, ☐ 12, ◊ 8	57x51	6,0 Nm	P. 22

PRODUCT FAMILY	DESCRIPTION	Ø TIGHTENING	HEADRAIL	PAGE
<b>7073P</b>	Gear bracket for Venetian blinds	46	58x56	P. 21
<b>7073PH</b>	Gear bracket for Venetian blinds	46	58x56	P. 21
<b>7075PA</b>	Gear bracket for Venetian blinds	46	58x56	P. 21
<b>7080P</b>	Gear bracket for Venetian blinds	46	57x51	P. 21
<b>7085PU</b>	Gear bracket for Venetian blinds	46	57x51	P. 21
<b>789250</b>	Extension for bevel gear ref. 7012-7014	46	57x51 and 58x56	P. 20
<b>7006A4620</b>	Adaptor Ø 46 for the bevel gear ref. 7006	46	57x51 and 58x56	P. 17

PRODUCT FAMILY	DESCRIPTION	INPUT OUTLINE	SLATS	HEADRAIL	MAX TORQUE APPLIED	PAGE
<b>7160M</b>	Universal tilter, spring system brake	☰ 14, ☐ 12, ☐ 7, ◊ 8	50-90 mm	57x51 and 58x56	40 N	P. 23
<b>7160C</b>	Universal tilter, system brake with sliding shoe	☰ 14, ☐ 12	50-65 mm 70-90 mm	57x51 and 58x56	40 N	P. 24
<b>7161CP3</b>	Universal tilter, system brake with sliding shoe and third position	☰ 14, ☐ 12	50-65 mm 70-90 mm	57x51 and 58x56	40 N	P. 24
<b>7166</b>	Tilter, spring system brake	☰ 14, ☐ 12	70-90 mm	58x56	40 N	P. 25
<b>7190</b>	Black tilter, spring system brake	☰ 14, ☐ 12	50-70 mm 80-90 mm	57x51 and 58x56	35 N	P. 26
<b>7193</b>	Third position device for Black tilter	☰ 14, ☐ 12				P. 27
<b>7165</b>	Tilter for tubular motor	OT 50, ZF54	80-90 mm	>= 100X100	60 N	P. 28
<b>7165P</b>	Gear bracket for tilter 7165			>= 100X100		P. 29

PRODUCT FAMILY	DESCRIPTION	MATERIAL	UNTHREADING RESISTANCE	PAGE
<b>71..</b>	Ball cord for Venetian blinds tilter	Polyester + Balls in POM	300 N	P. 31
<b>7178A</b>	Ball coupling for tilter, with Ø 6 mm ball	Stainless steel	40 N	P. 30

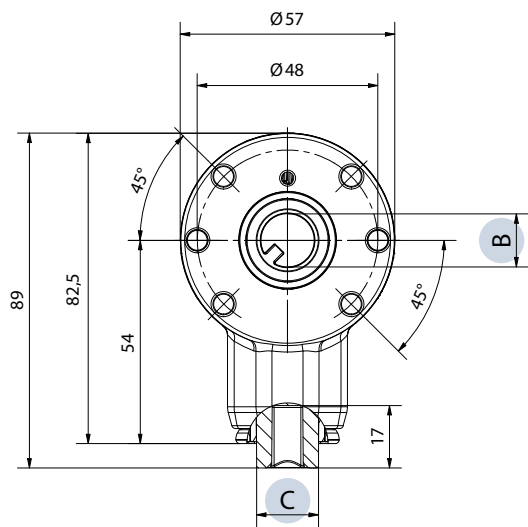
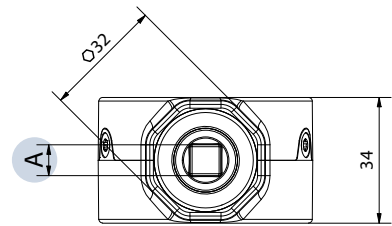
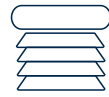
# BEVEL GEAR

## Ratio 3:1

- Case in Zamak.
- Steel spring brake.
- Right and left rotation.
- Can be mounted beside the 57x51 and 58x56 headrail.
- Can be mounted inside of the 58x56 headrail.



APPLICATION



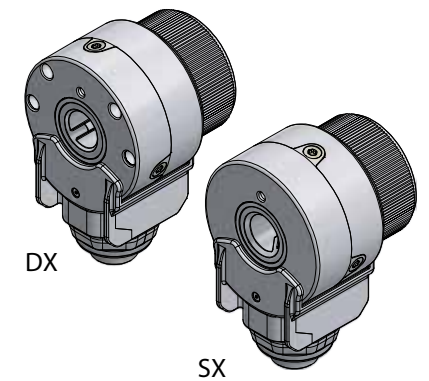
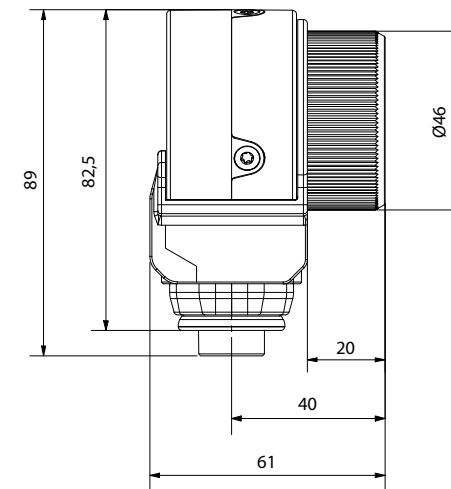
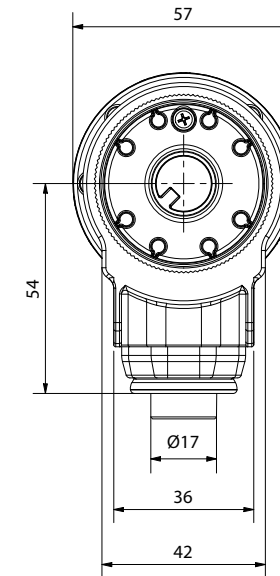
# ADAPTOR Ø 46

## For the bevel gear ratio 3:1

- Structure in Nylon.
- The adaptor fits on all brackets for 57x51 and 58x56 headrail.
- Right and left rotation.
- Safety screw for the gear anchoring.
- Can be mounted beside the 57x51 and 58x56 headrail.
- Can be mounted inside of the 58x56 headrail.
- Overall dimension of the adaptor assembled on the gear.



APPLICATION



CODE	INPUT A	OUTPUT B	C	FINISH/COLOUR	EFFICIENCY	MAX. OUTPUT TORQUE
70068001CH00N	□ 8	⌚ 14	Ø 17	Metallic finish	0,6	6 Nm

CODE	FINISH/COLOUR
7006A4620	RAL 7004



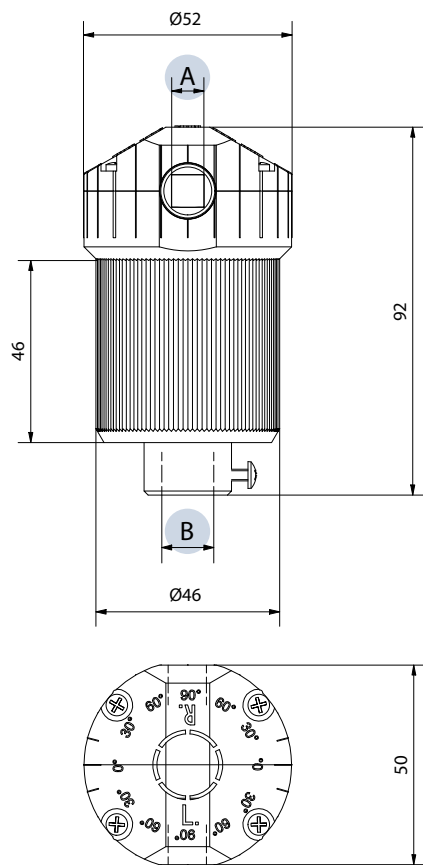
# BEVEL GEAR

APPLICATION



## Ratio 1,8:1

- Case in Nylon.
- Bevel gear in Zamak.
- Steel spring brake.
- Right and left rotation.
- Fit for 57x51 and 58x56 headrail.



### COMPATIBLE ACCESSORIES



0789250  
Extension for Venetian blinds gear  
page 20

Other compatible accessories on  
page 21

CODE	INPUT A	OUTPUT B	FINISH/COLOUR	EFFICIENCY	MAX. OUTPUT TORQUE
70126001CH01N	⊙ 6	⊕ 14	RAL 7004	0,6	5 Nm
70126003CH01N	⊙ 6	□ 7	RAL 7004	0,6	5 Nm
70126007CH01N	⊙ 6	⊙ 8	RAL 7004	0,6	5 Nm
70126005CH01N	⊙ 6	□ 12	RAL 7004	0,6	5 Nm
70125001CH01N	□ 6	⊕ 14	RAL 7004	0,6	5 Nm
70128001CH01N	□ 8	⊕ 14	RAL 7004	0,6	5 Nm
70128008CH00N	□ 8	⊙ 11	RAL 7004	0,6	5 Nm
70128101CH01N	□ 8	⊕ 14 for non-through axle	RAL 7004	0,6	5 Nm

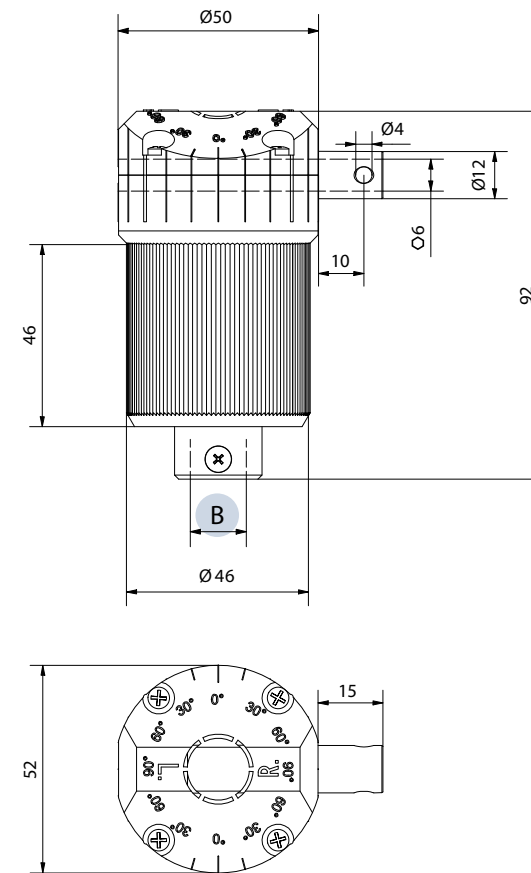
# BEVEL GEAR

APPLICATION



## Ratio 1,8:1

- Case in Nylon.
- Bevel gear in Zamak.
- Steel spring brake.
- Left rotation.
- Fit for 57x51 and 58x56 headrail.



### COMPATIBLE ACCESSORIES



0789250  
Extension for Venetian blinds gear  
page 20

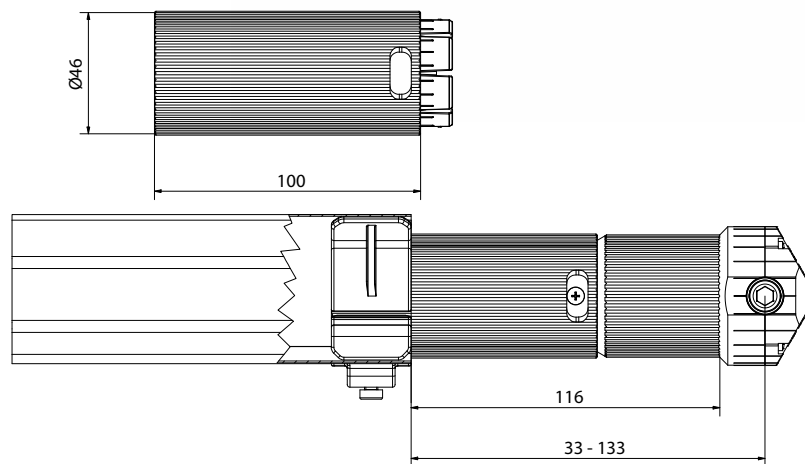
Other compatible accessories on  
page 21

CODE	OUTPUT B	FINISH/COLOUR	EFFICIENCY	MAX. OUTPUT TORQUE
70146001CH01N	⊕ 14	RAL 7004	0,6	5 Nm
70146003CH01N	□ 7	RAL 7004	0,6	5 Nm
70146005CH01N	□ 12	RAL 7004	0,6	5 Nm
70146007CH01N	⊙ 8	RAL 7004	0,6	5 Nm

# EXTENSION

## For the bevel gear ratio 1,8:1

- Structure in Nylon.
- The optional extension can be fastened to the gears series 7012 and 7014 and allows to action the gear from outside the headrail.
- The extension fits on all brackets for 58x56 and 57x51 headrail.



CODE	FINISH/COLOUR
0789250	RAL 7004

### APPLICATION



# BRACKET

## For gears 7012 - 7014

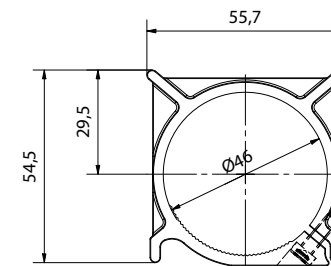
- Structure in Nylon.
- Tightening with 2 self-tapping screws.
- Fit for 57x51 and 58x56 headrail.
- Anti-rotation interior knurling.



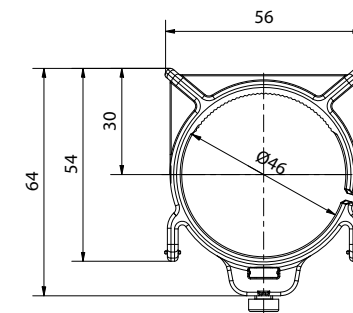
### APPLICATION



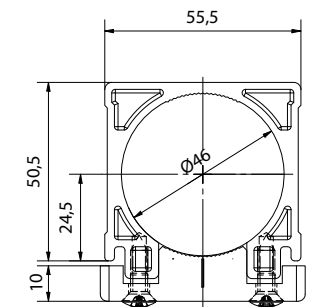
7073PH



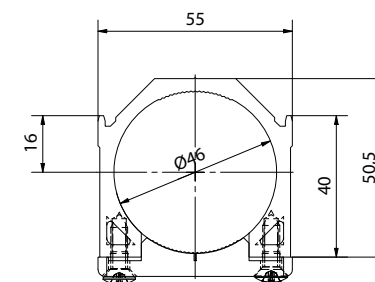
7075PA



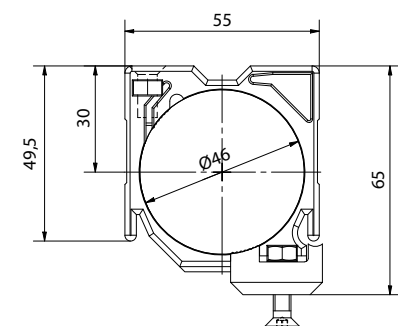
7073P



7080P



7085PU



CODE	Ø TIGHTENING	FINISH/COLOUR	HEADRAIL
7073P	46	RAL 7004	58x56
7073PH	46	RAL 7004	58x56
7075PA	46	RAL 7004	58x56
7080P	46	RAL 7004	57x51
7085PU	46	RAL 7004	57x51

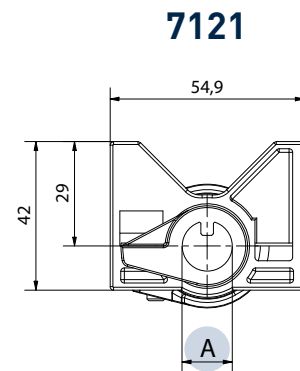
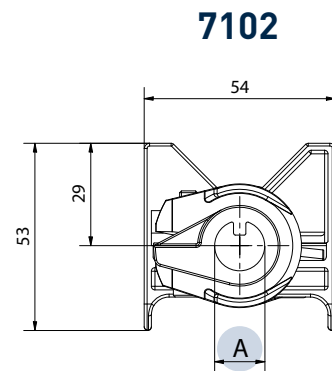
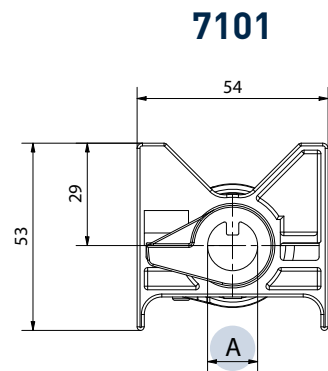
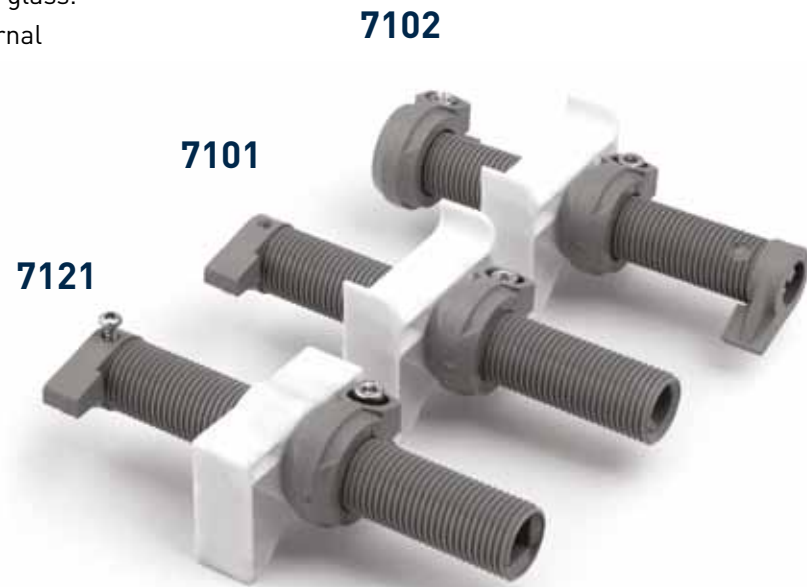


# STOP

APPLICATION



- Screw structure in Nylon reinforced with fibre glass, with anti-rotation external knurling.
- Internal mechanism in POM reinforced with fibre glass.
- Bracket in Nylon reinforced with fibre glass, internal anti-rotation knurling.
- Adjustable up to 48 cycles.



CODE	INPUT A	FINISH/COLOUR	HEADRAIL	MAX TORQUE APPLIED
71010100CH18	☺ 14	RAL 7004	58x56	6 Nm
71010500CH18	☐ 12	RAL 7004	58x56	6 Nm
71020100CH18*	☺ 14	RAL 7004	58x56	6 Nm
71020500CH18*	☐ 12	RAL 7004	58x56	6 Nm
71210100WA18	☺ 14	RAL 7004	57x51	6 Nm
71210500WA18	☐ 12	RAL 7004	57x51	6 Nm
71210700WA18	◊ 8	RAL 7004	57x51	6 Nm

\* Double adjustable bracket.

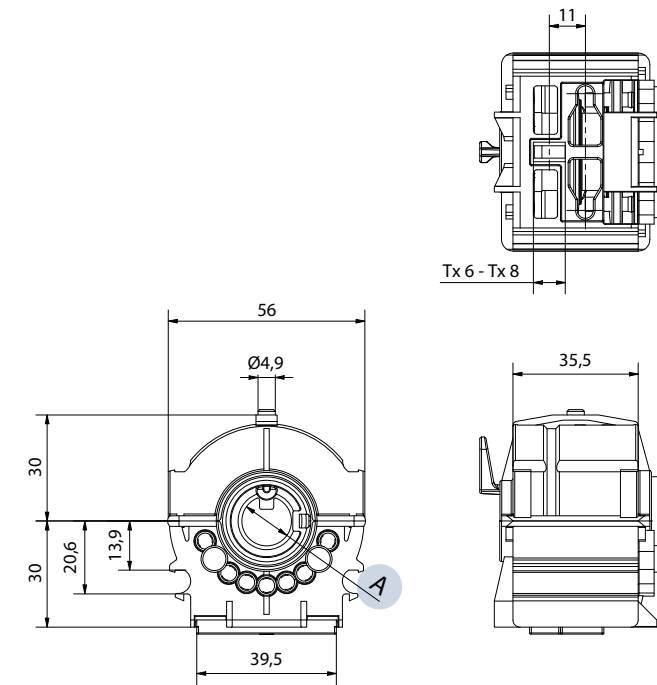
# UNIVERSAL TILTER

APPLICATION



## Spring system brake

- Fit for 57x51 and 58x56 mm headrail.
- Fit for 6 mm or 8 mm lift tape.
- Spring brake. - Slats position self-blocking.
- Mounting option on headrails with both upper and lower opening.



### COMPATIBLE ACCESSORIES



7178A  
Ball coupling for tilter  
page 30

Other compatible accessories on page 31

CODE	INPUT A	FINISH/COLOUR	SLATS	MAXIMUM APPLICABLE WEIGHT
716001M	☺ 14	White	50 - 90 mm	40 N each tilt and raise mechanism
716005M	☐ 12	White	50 - 90 mm	40 N each tilt and raise mechanism
716003M	☐ 7	White	50 - 90 mm	40 N each tilt and raise mechanism
716007M	◊ 8	White	50 - 90 mm	40 N each tilt and raise mechanism

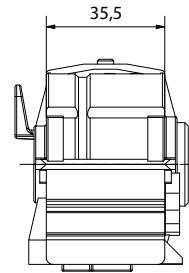
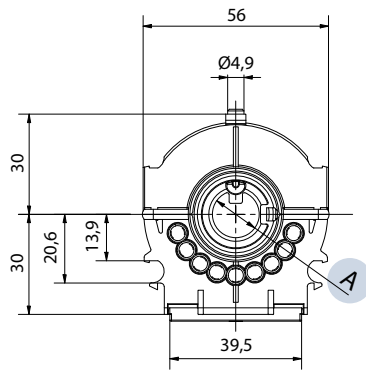
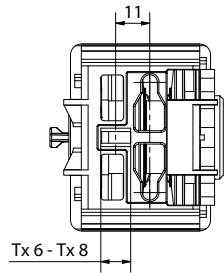
# UNIVERSAL TILTER

APPLICATION



## System brake with sliding shoe and third position

- Fit for 57x51 and 58x56 mm headrail.
- Fit for 6 mm or 8 mm lift tape.
- Brake with sliding shoe.
- Mounting option on headrails with both upper and lower opening.



### COMPATIBLE ACCESSORIES



7178A  
Ball coupling for tilter  
page 30

Other compatible accessories on page 31

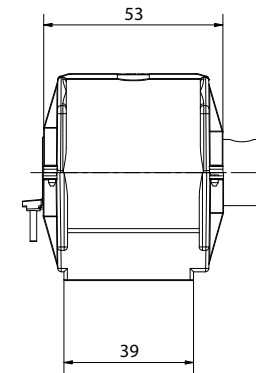
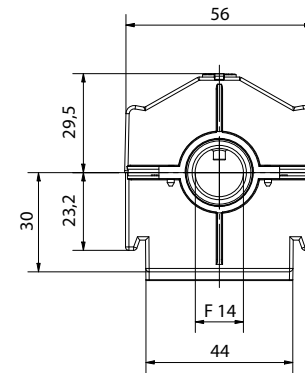
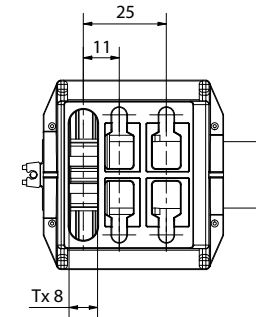
# TILTER

APPLICATION



## Spring system brake

- Fit for 58x56 headrail.
- Slats position self-blocking.
- Fixed cord: the ideal solution to set the slats horizontally.
- Stainless steel spring system.



### COMPATIBLE ACCESSORIES



7178A  
Ball coupling for tilter  
page 30

Other compatible accessories on page 31

CODE WITH SLIDING SHOE	OUTPUT A	FINISH/COLOUR	SLATS	MAXIMUM APPLICABLE WEIGHT
716001C50	☰ 14	RAL 7004	50 - 65 mm	40 N each tilt and raise mechanism
716001C90	☰ 14	RAL 7004	70 - 90 mm	40 N each tilt and raise mechanism
716005C50	☐ 12	RAL 7004	50 - 65 mm	40 N each tilt and raise mechanism
716005C90	☐ 12	RAL 7004	70 - 90 mm	40 N each tilt and raise mechanism

CODE WITH THIRD POSITION	OUTPUT A	FINISH/COLOUR	SLATS	MAXIMUM APPLICABLE WEIGHT
716101C50P3	☰ 14	RAL 7004	50 - 65 mm	40 N each tilt and raise mechanism
716101C90P3	☰ 14	RAL 7004	70 - 90 mm	40 N each tilt and raise mechanism
716105C50P3	☐ 12	RAL 7004	50 - 65 mm	40 N each tilt and raise mechanism
716105C90P3	☐ 12	RAL 7004	70 - 90 mm	40 N each tilt and raise mechanism

CODE	FINISH/COLOUR	SLATS	MAXIMUM APPLICABLE WEIGHT
71660170B5	RAL 7004	50 - 70 mm	40 N each tilt and raise mechanism
71660190B5	RAL 7004	80 - 90 mm	40 N each tilt and raise mechanism

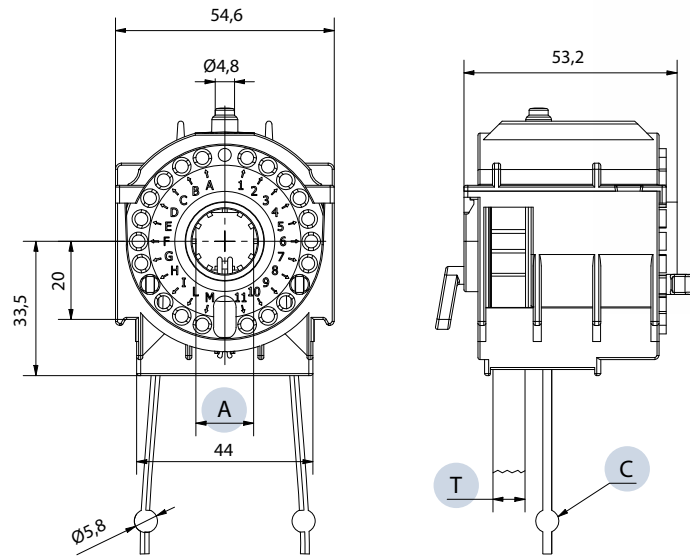


# BLACK TILTER

APPLICATION



- Available for 57x51 e 58x56 headrails.
- Available for 6 e 8 mm tape.
- S version for left mounting and on request D version for right mounting.
- Steel Inox spring brake - Slats position self-blocking.
- Mounting option on headrails with both upper and lower opening.
- Optional third position system device available.
- With pre-assembled cords.



### COMPATIBLE ACCESSORIES



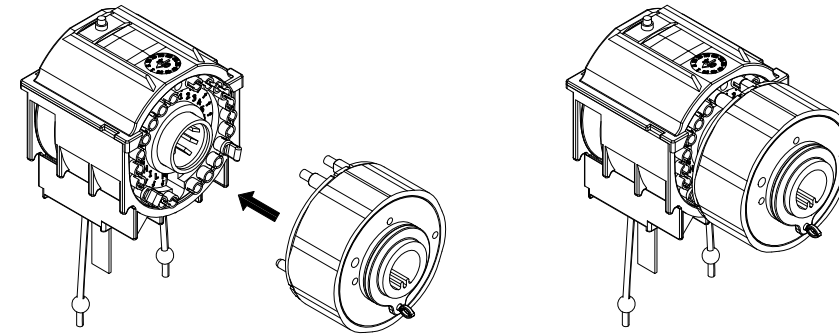
7178A  
Ball coupling for tilter  
page 30

# THIRD POSITION DEVICE

APPLICATION



## For Black tilter



CODE	OUTPUT A	C	T	HEADRAIL	SLATS	MAXIMUM APPLICABLE WEIGHT
7190S14BM600SB	☺ 14	117-117	6 mm	58x56	80-90 mm	35 N each tilt and raise mechanism
7190D14BM800SB	☺ 14	117-117	8 mm	58x56	80-90 mm	35 N each tilt and raise mechanism
7190S12BM800SB	☐ 12	117-117	8 mm	58x56	80-90 mm	35 N each tilt and raise mechanism
7191S14AP600SB	☺ 14	94-94	6 mm	57x51	50-70 mm	35 N each tilt and raise mechanism

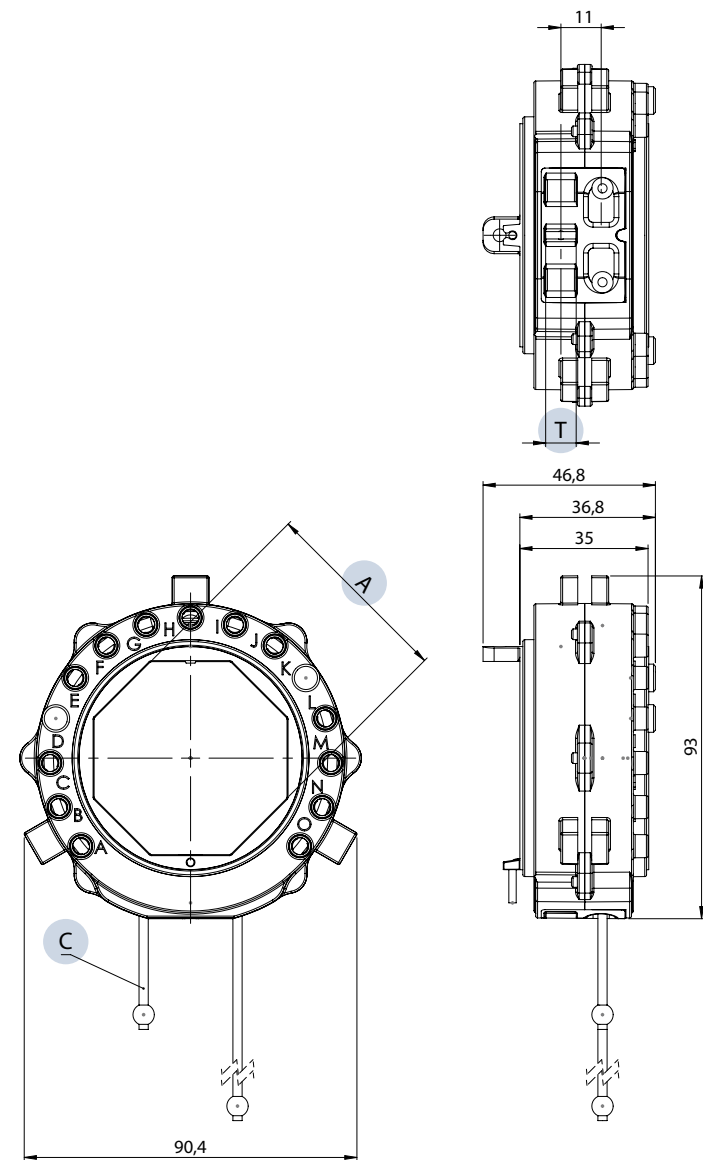
Tilter with square 10 or square 7 axle available on request.

CODE	OUTPUT A
7193SAT112	☐ 12
7193SAT114	☺ 14

# TILTER

## For tubular motor

- Suitable for boxes greater than or equal to 100x100 mm.
- Suitable for Z, C, S and V slats from 60 to 100 mm.
- Available for 6 e 8 mm tape.
- Steel spring brake.
- Slats position self-blocking.
- With pre-assembled cord.
- Faster slat packing.



## APPLICATION



### COMPATIBLE ACCESSORIES

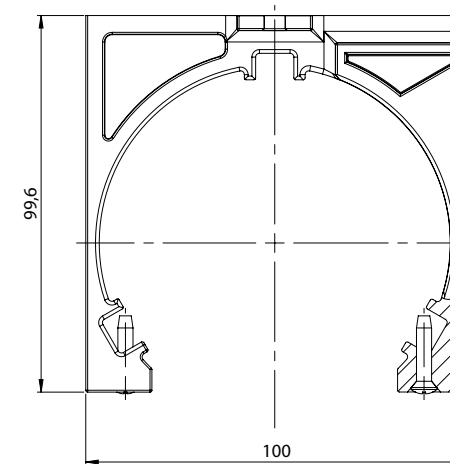
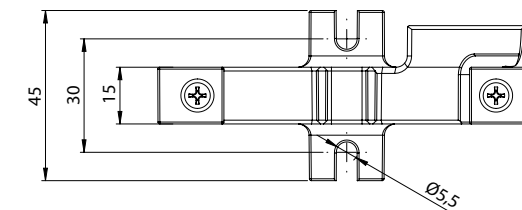


7178A  
Ball coupling for tilter  
page 30

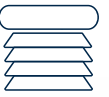
# PIVOT

## For tilter 7165

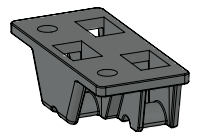
- Structure in PA6.
- Tightening with 2 self-tapping screws.
- Suitable for boxes greater than or equal to 100x100 mm.
- Suitable for vertical and offset versions.
- Optional accessory for offset version available (7165D).



## APPLICATION



### COMPATIBLE ACCESSORIES



7165D  
Venetian blind cord guide for offset  
installation

CODE	OUTPUT A	C	Tx	HEADRAIL	SLATS	MAXIMUM APPLICABLE WEIGHT
716502016CH01	OT 50	150 - 195	6	>= 100X100	80-90 mm	60 N each tilt and raise mechanism
716502018CH01	OT 50	150 - 195	8	>= 100X100	80-90 mm	60 N each tilt and raise mechanism
716512016CH01	ZF54	150 - 195	6	>= 100X100	80-90 mm	60 N each tilt and raise mechanism
716512018CH01	ZF54	150 - 195	8	>= 100X100	80-90 mm	60 N each tilt and raise mechanism

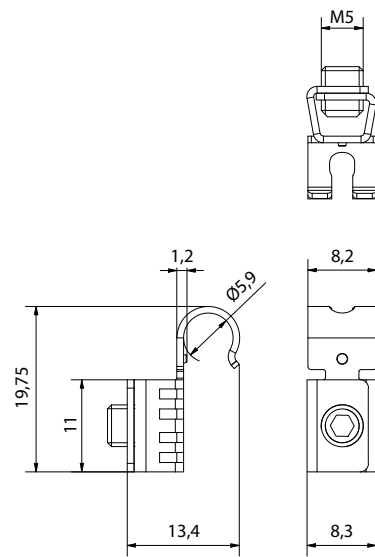
For the complete range of compatible octagonal tubes see Cherubini Mi-Metal Product Book

CODE	FINISH/COLOUR	HEADRAIL
7165P	RAL 9005	>= 100X100

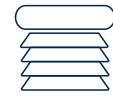


# BALL COUPLING FOR TILTER

- Material: stainless steel.
- M5 flat screw.
- Fit for ball cord  $\varnothing$  5,8.

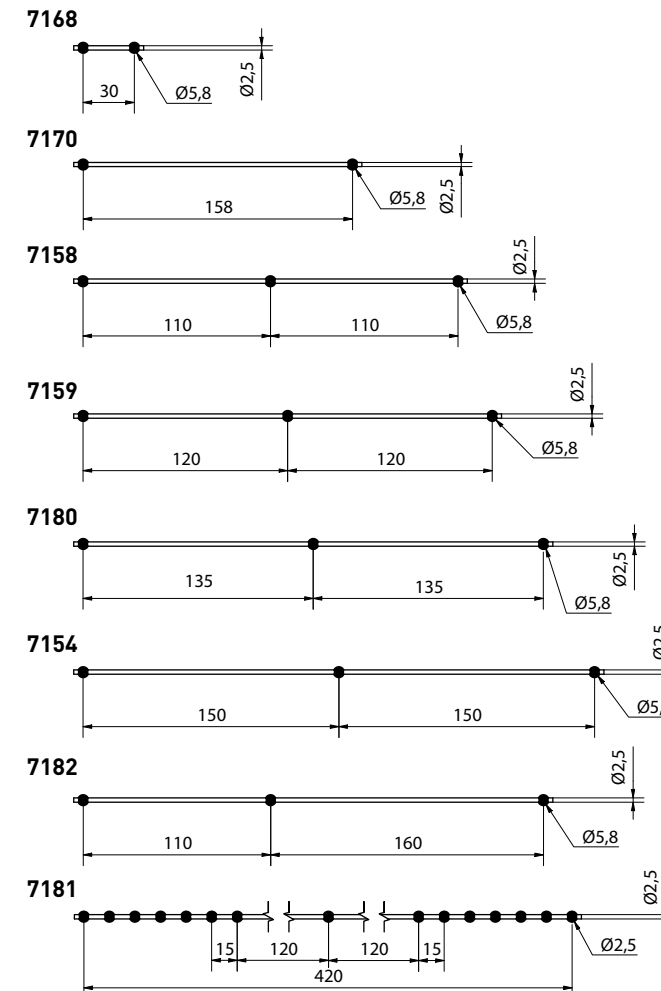


APPLICATION



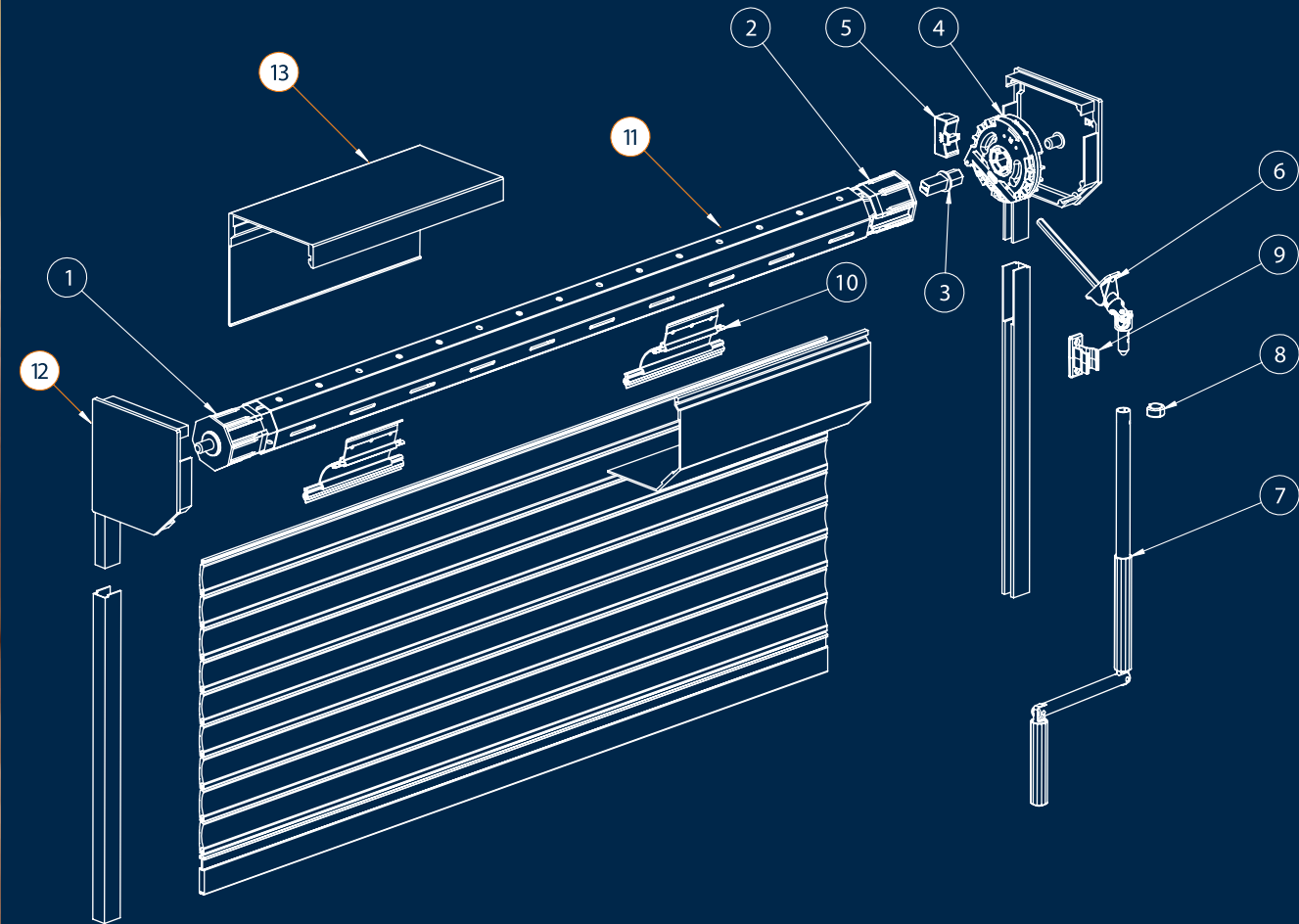
# BALL CORD FOR TILTER

- Cords in Polyester.
- Breaking load 1000 N.
- Stretching 1%.
- UV resistant.
- Unthreading resistant 300 N.
- 250 m rolls (cut to size on request).



CODE	FINISH/COLOUR	PACKAGING
7178A	Stainless steel	2500 pcs
7178A1	Stainless steel	1000 pcs

# Accessories for rolling shutters



- 1) IDLE PLUG
- 2) TRACTION PLUG
- 3) HEXAGONAL PIVOT
- 4) GEAR
- 5) BRACKET FOR GEAR
- 6) UNIVERSAL JOINT WITH PLATE
- 7) FOLDABLE CRANK
- 8) FIXING CLIP
- 9) CRANK HOLDER
- 10) SAFETY STOP

- \*11) TUBE OCTAGONAL
- \*12) HEADRAIL END CAP

- \*13) HEADRAIL OUTLINE

\* Components available in the Cherubini Mi-Metal Product Book



# GEAR FOR ROLLING SHUTTER

## Selection guide

Known the dimensions of the rolling shutter, it is possible with a simple calculation, the result of our experience, to find the gear whose output torque is the one recommended for your application.

### ROLLING SHUTTER DATA REQUIRED FOR CALCULATION

Width in meters L [m]  
 Height in meters H [m]  
 Profile weight per square meter P [Kg/m<sup>2</sup>]  
 Rod thickness S [mm]  
 Octagonal tube dimensions D [mm]  
 Constant K [also converts kg to Newton]

### K CONSTANT SELECTION

H	S	D	K
up to 1,5 m	9 mm	40 mm	0,46
		60 mm	0,50
	14 mm	40 mm	0,57
		60 mm	0,59
up to 2,5 m	9 mm	40 mm	0,60
		60 mm	0,62
	14 mm	40 mm	0,72
		60 mm	0,74

### CALCULATION OF THE OUTPUT TORQUE

OUTPUT TORQUE = (LxH) x P x K [Nm]

<i>Example:</i>			
Width L	1,25	m	
Height H	1,50	m	
Profile weight per square meter P	3,70	kg/m <sup>2</sup>	
Rod thickness S	9,00	mm	
Octagonal tube dimensions D	60	mm	
Constant K	0,5		
Output torque =	(1,25 x 1,5) x 3,7 x 0,5 =	3,47	Nm

# Accessories for rolling shutters

## SELECTION TABLES



PRODUCT FAMILY	DESCRIPTION	REDUCTION RATIO	EFFICIENCY	MAX. OUTPUT TORQUE	OPERATING TORQUE*	PAGE
7240	Bevel gear 2,6:1 (with clutch, with or without stop)	2,6 : 1	0,79	8,5 Nm	23,0 N	P. 36
7245	Bevel gear 3,6:1 (with clutch, with or without stop)	3,6 : 1	0,78	11,5 Nm	22,8 N	P. 38
7250	Bevel gear 5:1 (tube Ø 60)	5 : 1	0,56	7,0 Nm	13,9 N	P. 41
7252	Bevel gear 5:1 (tube Ø 70)	5 : 1	0,56	7,0 Nm	13,9 N	P. 41
7253	Bevel gear 5:1 (tube Ø 60)	5 : 1	0,56	7,0 Nm	13,9 N	P. 41
7280	Bevel gear 8:1 (tube Ø 70)	8 : 1	0,48	9,6 Nm	13,9 N	P. 42
7305	Worm gear 7:1	7 : 1	0,32	10,3 Nm	25,6 N	P. 44
7311	Worm gear 10:1	10 : 1	0,32	13,8 Nm	23,9 N	P. 44
7320	Worm gear 5:1	5 : 1	0,32	6,9 Nm	23,9 N	P. 44
7330	Worm gear 5,25:1	5,25 : 1	0,42	9,9 Nm	25,0 N	P. 46
7350	Worm gear 8:1	8 : 1	0,34	12 Nm	25,0 N	P. 48

\* Crank lever arm length: 180 mm

PRODUCT FAMILY	DESCRIPTION	TUBE OCTAGONAL	MATERIAL	PAGE
1549	Kit octagonal adapter with clip + adapter-guide for octagonal tube ref. 7240-7245	40,50,60	POM and Nylon	P. 40
99XX	Caps for octagonal tubes	40,60	Plastic and steel	P. 51

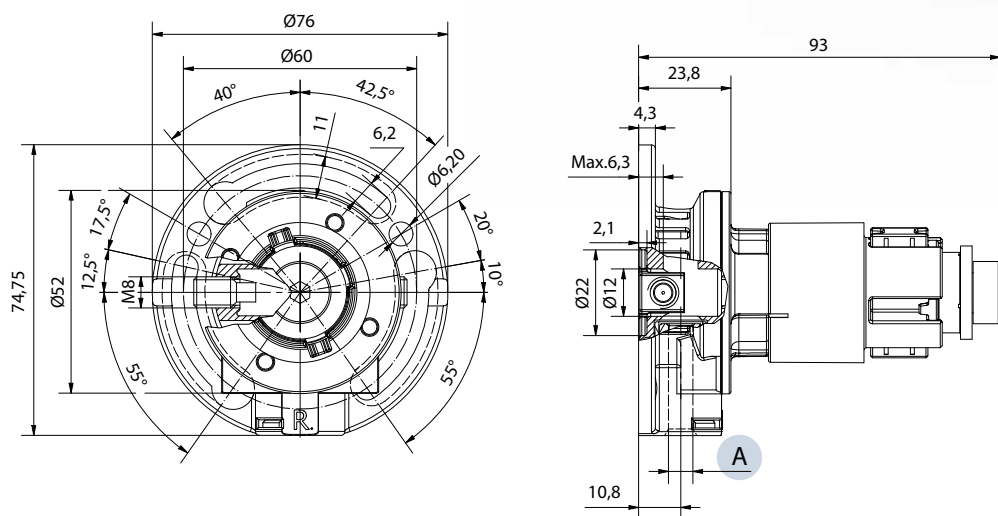
PRODUCT FAMILY	DESCRIPTION	MATERIAL	PAGE
7290	Adjustable fixing rod ref. 7250-7252-7253-7280	Zinc-plated steel	P. 43
73XX	Hexagonal pivot	Zamak	P. 50
7326	Bracket for gear code ref. 7330	Plastic material	P. 47

# GEAR

## Bevel gear ratio 2,6:1

- Gear to use on left or right side (PAT).
- Right and left rotation.
- Slip-on adapter for 40, 50 and 60 octagonal tube.
- Steel spring brake.
- Material: Zamak.

### APPLICATION



## Bevel gear with clutch ratio 2,6:1

Integrated clutch with constant release.  
Integrated screw-less fastening system (PAT).

CODE	INPUT A	FINISH/COLOUR	EFFICIENCY	MAX. OUTPUT TORQUE
72405000F	<input type="checkbox"/> 6 traversable	Zinc-plated	0,79	8,5 Nm

1550040 - Insulating divider  $\varnothing$  94 mm

## Bevel gear with stop ratio 2,6:1

Adjustable limit switch.  
Integrated screw-less fastening system (PAT).

CODE	INPUT A	STOP	FINISH/COLOUR	EFFICIENCY	MAX. OUTPUT TORQUE
72405000A	<input type="checkbox"/> 6 traversable	9 cycles	Zinc-plated	0,79	8,5 Nm

1550040 - Insulating divider  $\varnothing$  94 mm

## Bevel gear without stop ratio 2,6:1

Integrated screw-less fastening system (PAT).

CODE	INPUT A	FINISH/COLOUR	EFFICIENCY	MAX. OUTPUT TORQUE
72405000N	<input type="checkbox"/> 6 traversable	Zinc-plated	0,79	8,5 Nm

1550040 - Insulating divider  $\varnothing$  94 mm

### COMPATIBLE ACCESSORIES



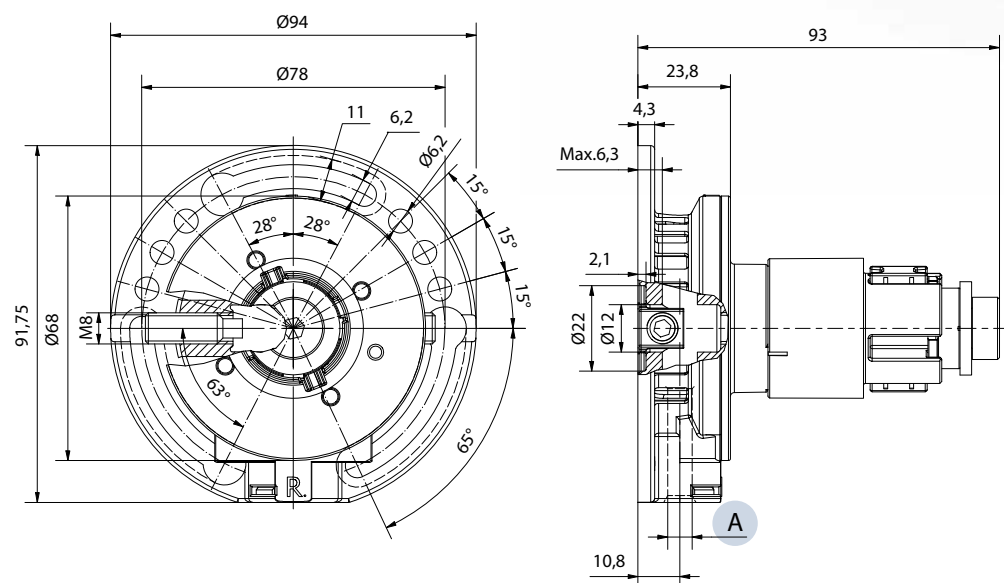
Kit octagonal adapter  
page 40



# GEAR

## Bevel gear ratio 3,6:1

- Gear to use on left or right side (PAT).
- Right and left rotation.
- Slip-on adapter for 40, 50 and 60 octagonal tube.
- Steel spring brake.
- Material: Zamak.



### APPLICATION



## Bevel gear with clutch ratio 3,6:1

Integrated clutch with constant release.  
Integrated screw-less fastening system (PAT).

CODE	INPUT A	FINISH/COLOUR	EFFICIENCY	MAX. OUTPUT TORQUE
72455000F	<input type="checkbox"/> 6 traversable	Zinc-plated	0,78	11,5 Nm

1550040 - Insulating divider  $\varnothing 94$  mm

## Bevel gear with stop ratio 3,6:1

Adjustable limit switch.  
Integrated screw-less fastening system (PAT).

CODE	INPUT A	STOP	FINISH/COLOUR	EFFICIENCY	MAX. OUTPUT TORQUE
72455000A	<input type="checkbox"/> 6 traversable	9 cycles	Zinc-plated	0,78	11,5 Nm

1550040 - Insulating divider  $\varnothing 94$  mm

## Bevel gear without stop ratio 3,6:1

Integrated screw-less fastening system (PAT).

CODE	INPUT A	FINISH/COLOUR	EFFICIENCY	MAX. OUTPUT TORQUE
72455000N	<input type="checkbox"/> 6 traversable	Zinc-plated	0,78	11,5 Nm

1550040 - Insulating divider  $\varnothing 94$  mm

### COMPATIBLE ACCESSORIES



Kit octagonal adapter  
page 40

# ADAPTER KIT

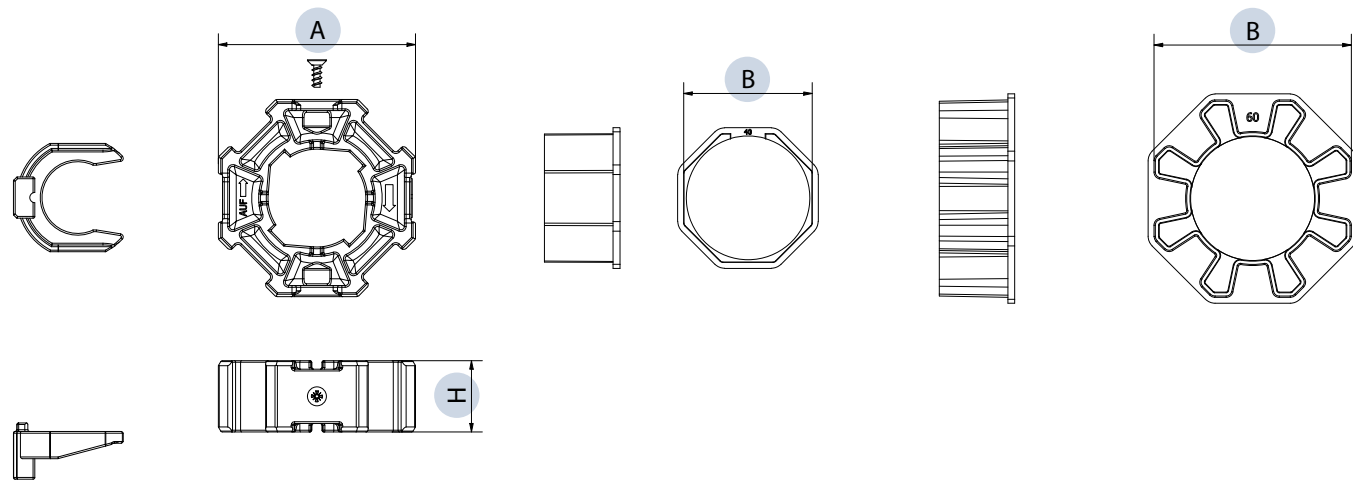
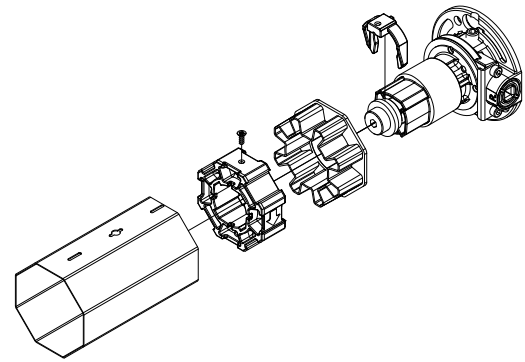
## For bevel gears 2,6:1 - 3,6:1

### KIT OCTAGONAL ADAPTER WITH CLIP

- Adapter and clip in POM.
- Self-tapping screw in zinc-plated steel.
- Fits on bevel gears (Ref. 7240 - 7245).

### ADAPTER-GUIDE OCTAGONAL TUBE

- Adapter-guide in Nylon.
- Fits on bevel gears (Ref. 7240 - 7245).



ADAPTER KIT CODE	A	H
1549001	40	21
1549003	50	20,8
1549002	60	20,8

ADAPTER-GUIDE CODE	B
1549010	40
1549011	60

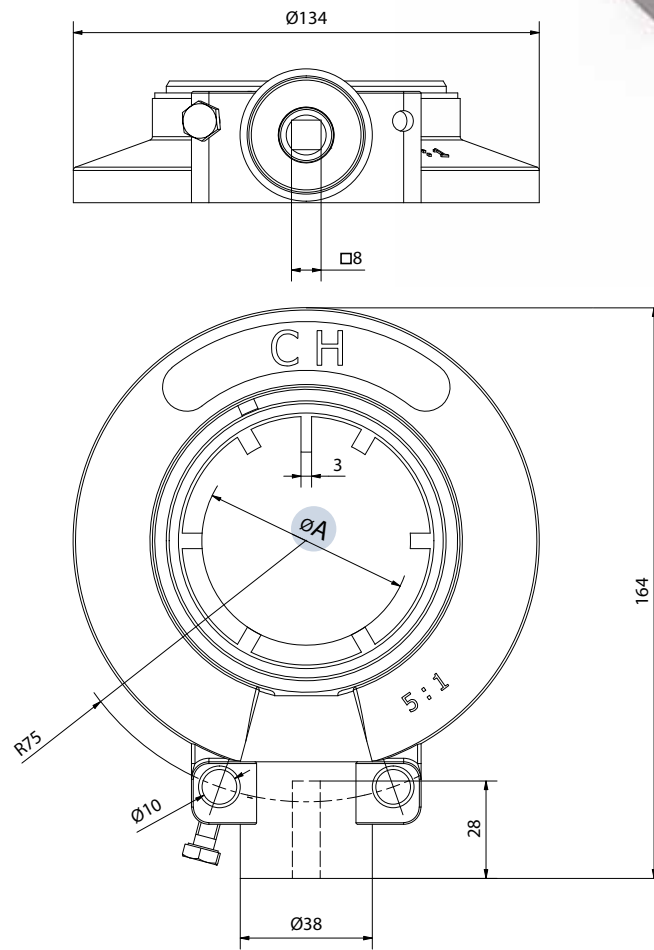
## APPLICATION



# GEAR

## Bevel gear ratio 5:1

- Case in Zamak.
- Bevel gear in Zamak.
- Steel spring brake.
- Floating on POM bearings.
- Built-in stop at 13 cycles.



## APPLICATION



### COMPATIBLE ACCESSORIES



7290 - 7292  
Fixing rod. Page 43

CODE	INPUT A	STOP	FINISH/COLOUR	EFFICIENCY	MAX. OUTPUT TORQUE
7250CH	∅ 60	13 cycles	Metallic finish	0,56	7 Nm
7252CH	∅ 70	13 cycles	Metallic finish	0,56	7 Nm
7253CH	∅ 60	13 cycles	Metallic finish	0,56	7 Nm



# GEAR

## Bevel gear ratio 8:1

- Case in Zamak.
- Bevel gear in Zamak.
- Steel spring brake.
- Floating on POM bearings.
- Built-in stop at 10 cycles.



APPLICATION



# ADJUSTABLE FIXING ROD

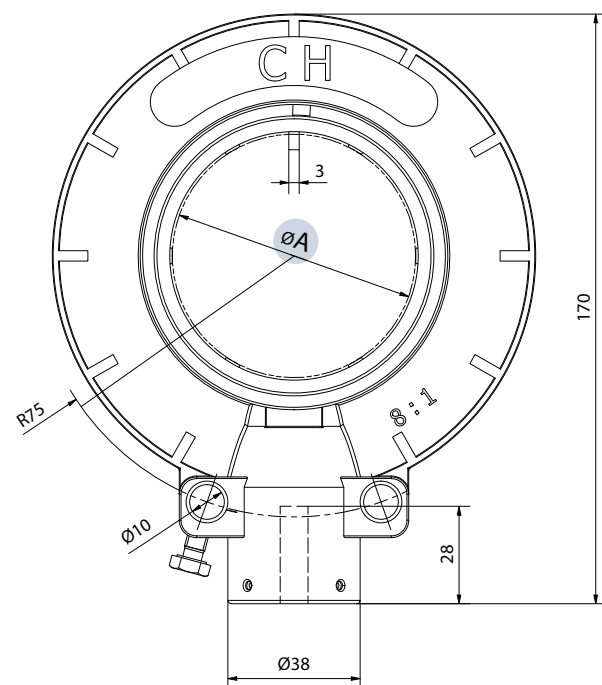
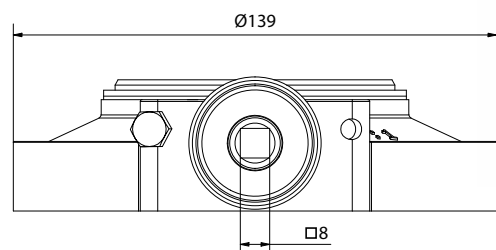
APPLICATION



- Fixing rod.
- Material: zinc-plated steel.
- Adjustable fixing bolt.

7290

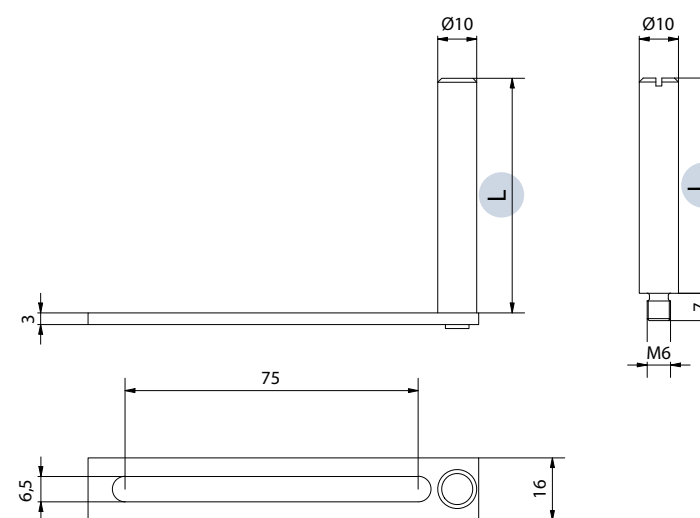
7292



### COMPATIBLE ACCESSORIES



7290 - 7292  
Fixing rod. Page 43



CODE	L
729055	55 mm
729080	80 mm
729260	60 mm
729280	80 mm

CODE	INPUT A	STOP	FINISH/COLOUR	EFFICIENCY	MAX. OUTPUT TORQUE
7280	Ø 70	10 cycles	Metallic finish	0,48	9,6 Nm

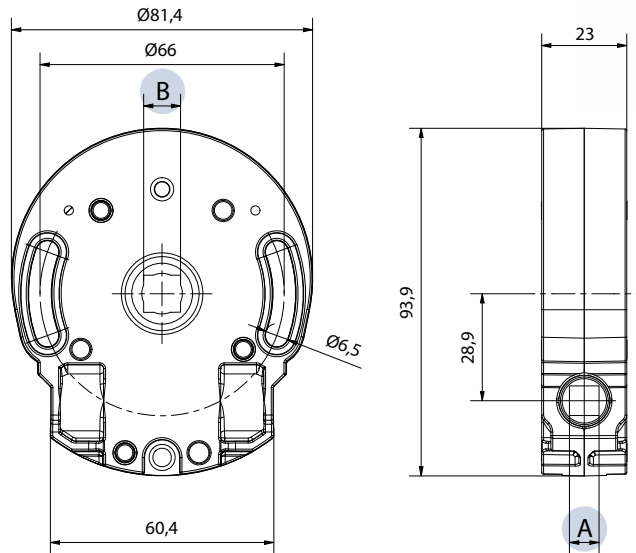
# GEAR

## Worm gear

- Case in Zamak.
- Screw worm in aluminium.
- Crown in brass.
- With or without stop, adjustable up to 16 cycles.
- One piece sintered steel stop.



### APPLICATION



### COMPATIBLE ACCESSORIES



7316-7317  
Hexagonal pivot  
page 50

Other compatible accessories on  
page 51

### Worm gear ratio 5:1 - Patented brake, with multiple-friction.

CODE	INPUT A	INPUT B	STOP	FINISH/COLOUR	EFFICIENCY	MAX. OUTPUT TORQUE
73206004ACH00	◊ 6	□ 10	16 cycles	Metallic finish	0,32	6,9 Nm
73207004ACH00	◊ 7	□ 10	16 cycles	Metallic finish	0,32	6,9 Nm
73208004ACH00	□ 8	□ 10	16 cycles	Metallic finish	0,32	6,9 Nm
73208011ACH00	□ 8	□ 13	16 cycles	Metallic finish	0,32	6,9 Nm
73208015ACH00	□ 8	◊ 16	16 cycles	Metallic finish	0,32	6,9 Nm

73206004NCH00	◊ 6	□ 10		Metallic finish	0,32	6,9 Nm
73207004NCH00	◊ 7	□ 10		Metallic finish	0,32	6,9 Nm
73208004NCH00	□ 8	□ 10		Metallic finish	0,32	6,9 Nm
73208011NCH00	□ 8	□ 13		Metallic finish	0,32	6,9 Nm

### Worm gear ratio 7:1 - Self-brake, through bearings.

CODE	INPUT A	INPUT B	STOP	FINISH/COLOUR	EFFICIENCY	MAX. OUTPUT TORQUE
73057004ACH00	◊ 7	□ 10	16 cycles	Metallic finish	0,32	10,3 Nm
73058004ACH00	□ 8	□ 10	16 cycles	Metallic finish	0,32	10,3 Nm
73058011ACH00	□ 8	□ 13	16 cycles	Metallic finish	0,32	10,3 Nm
73058015ACH00	□ 8	◊ 16	16 cycles	Metallic finish	0,32	10,3 Nm

73058011NCH00	□ 8	□ 13		Metallic finish	0,32	10,3 Nm
---------------	-----	------	--	-----------------	------	---------

### Worm gear ratio 10:1 - Self-brake, through bearings.

CODE	INPUT A	INPUT B	STOP	FINISH/COLOUR	EFFICIENCY	MAX. OUTPUT TORQUE
73116004ACH00	◊ 6	□ 10	16 cycles	Metallic finish	0,32	13,8 Nm
73117004ACH00	◊ 7	□ 10	16 cycles	Metallic finish	0,32	13,8 Nm
73118004ACH00	□ 8	□ 10	16 cycles	Metallic finish	0,32	13,8 Nm
73118011ACH00	□ 8	□ 13	16 cycles	Metallic finish	0,32	13,8 Nm
73118015ACH00	□ 8	◊ 16	16 cycles	Metallic finish	0,32	13,8 Nm

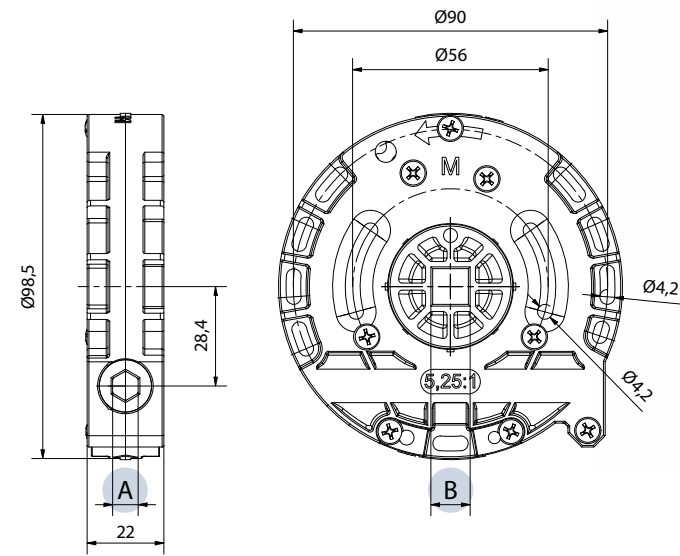
  

73117004NCH00	◊ 7	□ 10		Metallic finish	0,32	13,8 Nm
73118004NCH00	□ 8	□ 10		Metallic finish	0,32	13,8 Nm
73118011NCH00	□ 8	□ 13		Metallic finish	0,32	13,8 Nm
73118015NCH00	□ 8	◊ 16		Metallic finish	0,32	13,8 Nm

# WORM GEAR

## Ratio 5,25:1 with or without stop

- Case in special synthetic material.
- Crown in POM.
- Steel spring brake.
- Clutching device downwards.



### COMPATIBLE ACCESSORIES



7326  
Bracket for gear  
page 47

7316-7317  
Hexagonal pivot  
page 50

Other compatible accessories  
on page 51

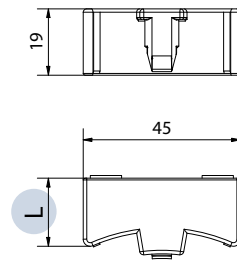
CODE	INPUT A	INPUT B	STOP	FINISH/ COLOUR	EFFICIENCY	MAX. OUTPUT TORQUE
73305004ACH04	□ 6	□ 10	9,75 cycles	RAL 9005	0,42	9,9 Nm
73306004ACH04	◇ 6	□ 10	9,75 cycles	RAL 9005	0,42	9,9 Nm
73307004ACH04	◇ 7	□ 10	9,75 cycles	RAL 9005	0,42	9,9 Nm
73307015ACH04	◇ 7	◇ 16	9,75 cycles	RAL 9005	0,42	9,9 Nm
73307016ACH04	◇ 7	Crabot 22	9,75 cycles	RAL 9005	0,42	9,9 Nm
73307017ACH04	◇ 7	Crabot 28	9,75 cycles	RAL 9005	0,42	9,9 Nm
73305004NCH04	□ 6	□ 10		RAL 9005	0,42	9,9 Nm
73307004NCH04	◇ 7	□ 10		RAL 9005	0,42	9,9 Nm
73307015NCH04	◇ 7	◇ 16		RAL 9005	0,42	9,9 Nm
73307016NCH04	◇ 7	Crabot 22		RAL 9005	0,42	9,9 Nm
73307017NCH04	◇ 7	Crabot 28		RAL 9005	0,42	9,9 Nm

# BRACKET FOR GEAR

APPLICATION



- Plastic material.



CODE	L	END CAP
7326125	16 mm	125
7326137	21,6 mm	137
7326150	28,9 mm	150
7326165	36,5 mm	165
7326180	44,1 mm	180
7326205	57,1 mm	205



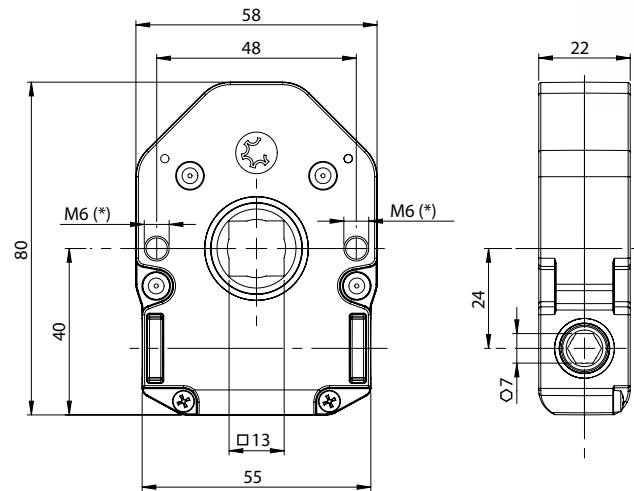
# WORM GEAR 8:1

APPLICATION



## Ratio 8:1 with or without stop

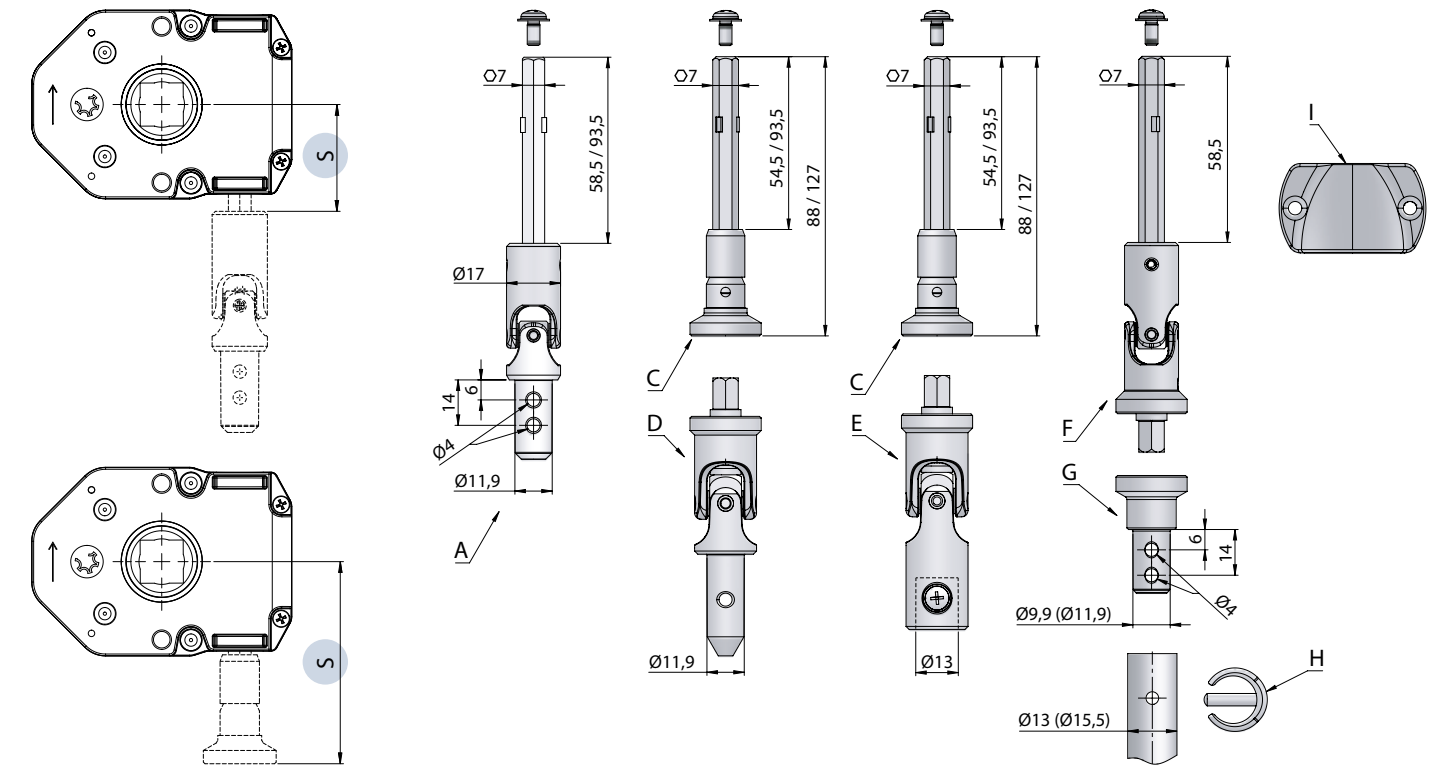
- Case in Zamak.
- Crown in Steel
- Screw worm in brake.
- With or without stop, adjustable up to 19 cycles.
- One piece sintered steel stop.
- Multiple-friction brake with steel washers and springs.



(\*) M6 threaded holes with through thread

# ACCESSORIES

## For worm gear ratio 8:1



CODE		S
60237003M12XX	A Joint in Zamak - nickel-plated $\varnothing$ 7 mm and hole M $\varnothing$ 12 mm	32 mm
60237007M12XX	A Joint in Zamak - nickel-plated $\varnothing$ 7 mm and hole M $\varnothing$ 12 mm	67 mm
60217006CACHXX	C Extension $\varnothing$ 7 mm with female magnetic connection	62 mm
60217010CACHXX	C Extension $\varnothing$ 7 mm with female magnetic connection	101 mm
8056M12XX	D Magnetic joint M $\varnothing$ 11,9 mm	
8056V13XX	E Magnetic joint $\varnothing$ 13 mm female connection	
60247003CACHXX	F Magnetic joint - hex connector - $\varnothing$ 7 mm	32 mm
784410CAXX	G Magnetic tube adapter connector M $\varnothing$ 13 mm - for tube $\varnothing$ 9,9 mm	
784412CAXX	G Magnetic tube adapter connector M $\varnothing$ 15,5 mm - for tube $\varnothing$ 11,9 mm	
7595XX	H Fixing clip for tube $\varnothing$ 13 mm	
7596XX	H Fixing clip for tube $\varnothing$ 15,5 mm	
8027XX	I Magnetic crank holder	

XXX: Complete the code with the desired length. For the available lengths, contact the Sales Department.

STANDARD COLOURS			COLOURS ON REQUEST*	
16	05	NK	09	
RAL 9016	RAL 7035	Nickel plating	RAL 8019	

(\*) Colours on request with minimum order quantity.

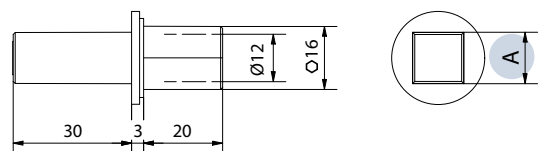
CODE	INPUT	OUTPUT A	STOP	FINISH/ COLOUR	EFFICIENCY	MAX. OUTPUT TORQUE
73507011ACH00	$\varnothing$ 7	$\square$ 13	19 cycles	Metallic finish	0,34	12 Nm
73507011NCH00	$\varnothing$ 7	$\square$ 13		Metallic finish	0,34	12 Nm

# HEXAGONAL PIVOT

APPLICATION



- Material: Zamak.
- Fits to screw worm winch (Ref. 7305 - 7311 - 7320 - 7330).



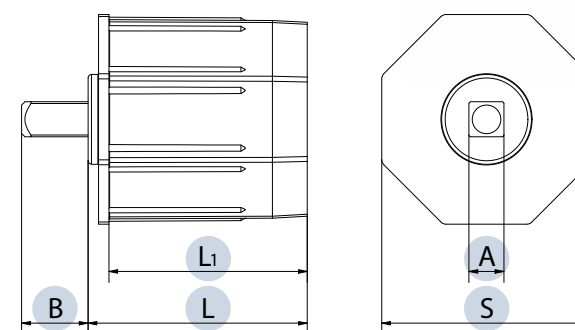
CODE		A
7316	○ Pivot 16 mm with hole Ø 12 mm and □ 13 mm	□ 13
7317	○ Pivot 16 mm with hole Ø 12 mm and □ 10 mm	□ 10

# CAPS FOR OCTAGONAL TUBES

APPLICATION



- Adapter in plastic material.
- Pivot zinc-plated steel.
- Fit for octagonal tubes 40, 60.



CODE	S	A	B	L	L1	FINISH/COLOUR
994213CH04	40	hole □ 13	-	79 mm	73,5 mm	RAL 9005
994320CH04	40	rod □ 10	20	79 mm	73,5 mm	RAL 9005
994420CH04	40	rod □ 7	20	46 mm	42 mm	RAL 9005
996115CH04L145	60	rod Ø 12	15	145 mm	116 mm	RAL 9005
996213CH04	60	hole □ 13	-	63 mm	56,8 mm	RAL 9005
996320CH04	60	rod □ 10	20	63 mm	56,8 mm	RAL 9005
996420CH04	60	rod Ø 12	20	63 mm	56,8 mm	RAL 9005

For the complete range of compatible octagonal caps see Cherubini Mi-Metal Product Book

# CRANKS AND UNIVERSAL JOINTS



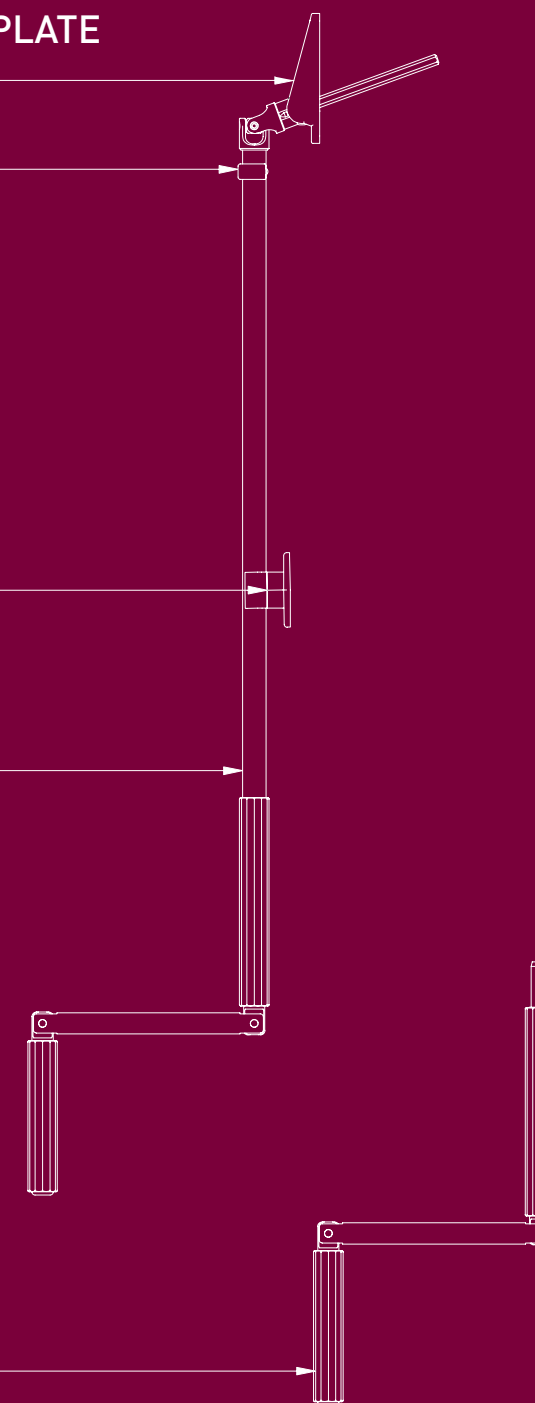
UNIVERSAL JOINT WITH PLATE

FIXING CLIP

CRANK HOLDER

FOLDABLE CRANK WITH ASSEMBLED TUBE

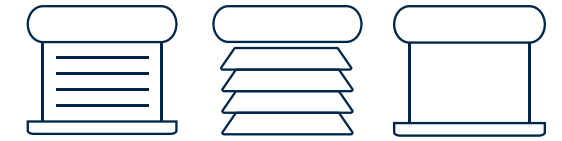
FOLDABLE CRANK









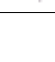





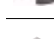







# Cranks and universal joints

## SELECTION TABLES



PRODUCT FAMILY	DESCRIPTION	Ø TUBE	Crank centre-to-centre distance	SURFACE	MAX TORQUE APPLIED	PAGE
 <b>7400 and 7401</b>	Foldable crank in aluminium		100	Natural anodized, Powder coated	4 Nm	P. 56
 <b>7402</b>	Foldable crank in aluminium-coated with assembled tube	Ø 13	100	Powder-coated	5 Nm	P. 57
 <b>7420 and 7421</b>	Foldable crank in aluminium		140	Natural anodized, Powder coated	5 Nm	P. 58
 <b>7457</b>	Foldable crank in aluminium-coated with assembled tube	Ø 13	180	Powder-coated	6 Nm	P. 59
 <b>7461 and 7467</b>	Powder coated foldable crank with assembled tube	Ø 15.5	140, 180	Powder-coated	6 Nm	P. 61
 <b>7461VL</b>	Aluminium foldable crank with powder-coated lever arm		140	Powder-coated	6 Nm	P. 60
 <b>7461AV</b>	Aluminium foldable crank with powder-coated lever arm		140	Natural anodized	6 Nm	P. 60
 <b>7500</b>	Foldable crank in steel		152	Nickel-plated	6 Nm	P. 62
 <b>7501</b>	Foldable crank in steel-coated with assembled tube	Ø 15,5	140	Powder-coated	8 Nm	P. 63

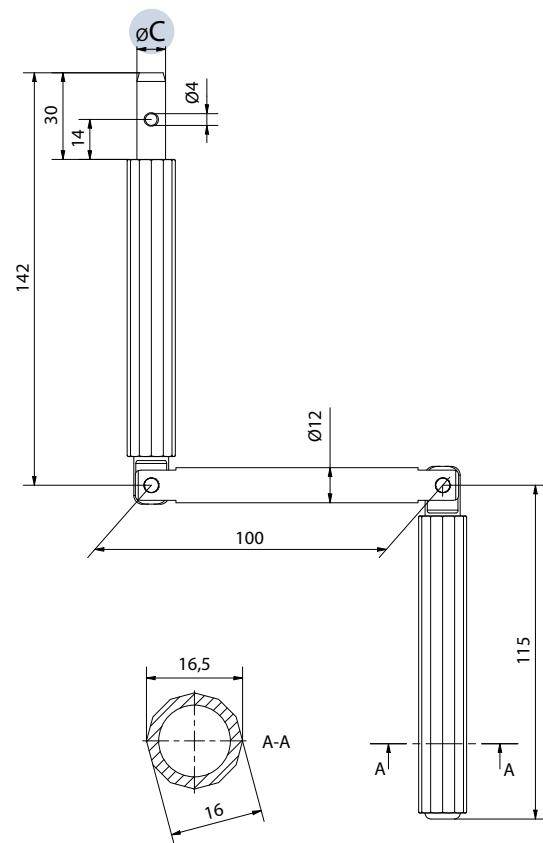
PRODUCT FAMILY	DESCRIPTION	MATERIAL	PAGE
 <b>7380</b>	Kit for extensible crank	Zinc-plated steel	P. 65
 <b>7590-7591 7592-7593 8027</b>	Crank holder and magnetic crank holder	Plastic and steel	P. 64
 <b>7595-7596</b>	Fixing clip	Plastic and steel	P. 66
 <b>7800-7810</b>	Cover plate	Nickel-plated or powder-coated steel	P. 89
 <b>7848</b>	Air stop silicone seal	Translucent silicone	P. 89
 <b>0300XXX</b>	Funnel to bayonet	Zamak	P. 96
 <b>0550</b>	Fast-coupling driving rods	Zinc-plated steel	P. 97

PRODUCT FAMILY	DESCRIPTION	MATERIAL	PAGE
 Universal joints	Universal joint without plate	Zamak	P. 67
 Universal joints	Universal joint with plate	Zamak or plastic material	from P. 68 to P. 95

# FOLDABLE CRANK Ø 12 HANDLE 16

100 mm centre-to-centre distance lever arm

- Crank structure in Duraluminium.
- Extremities in polished Duraluminium.
- Handles in shock resistant plastic material.
- Positioning spring.
- Swivelling pins in stainless steel.

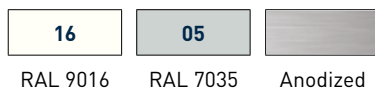


CRANKS  
AND  
UNIVERSAL  
JOINTS



CODE	C	FINISH/COLOUR	MAX TORQUE APPLIED
740010AVCHXX	Ø 9,9	Natural anodized	4 Nm
740110VLCHXX	Ø 9,9	Powder-coated	4 Nm

STANDARD COLOURS



COLOURS ON REQUEST\*



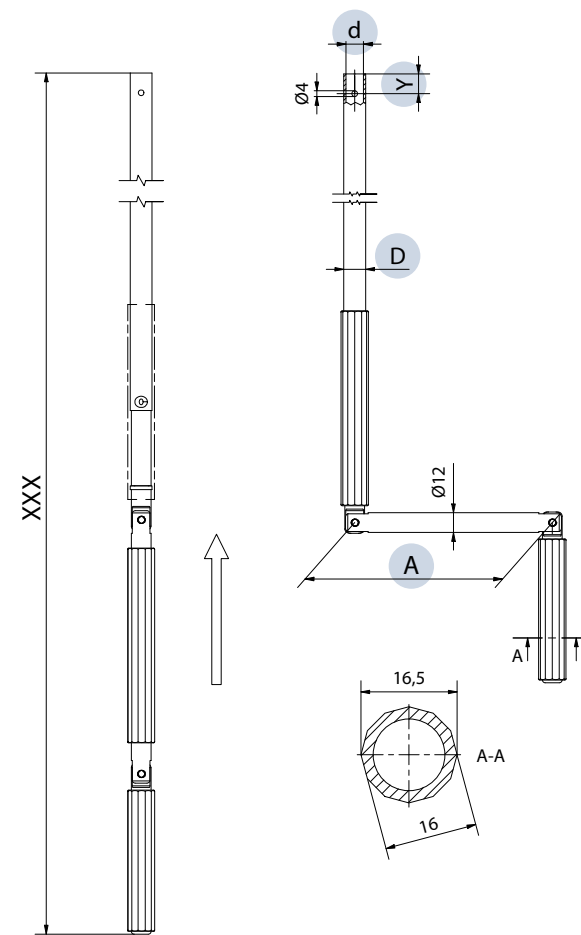
(\*). Colours on request with minimum order quantity.

# FOLDABLE CRANK Ø 12 HANDLE 16

WITH ASSEMBLED TUBE Ø 13X1,5

100 mm centre-to-centre distance lever arm

- XXX Length from 100 cm to 300 cm (For all available lengths, please contact Sales Department).
- Crank structure in powder-coated or anodized Duraluminium.
- Invisible tube coupling.



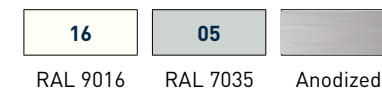
CRANKS  
AND  
UNIVERSAL  
JOINTS



CODE	A	D	d	Y	FINISH/COLOUR	HANDLES COLOUR	MAX TORQUE APPLIED
7402XXXN2605	100 mm	13	10	14	RAL 9016	RAL 9016	5 Nm
7402XXXN2607	100 mm	13	10	6	RAL 9016	RAL 9016	5 Nm
7402XXXN2705	100 mm	13	10	14	RAL 7035	RAL 7035	5 Nm
7402XXXN2707	100 mm	13	10	6	RAL 7035	RAL 7035	5 Nm
7402XXXN1205	100 mm	13	10	14	Anodized	RAL 7035	5 Nm
7402XXXN1209	100 mm	13	10	6	Anodized	RAL 7035	5 Nm

XXX: Complete the code with the desired length. For the available lengths, contact the Sales Department.

STANDARD COLOURS



COLOURS ON REQUEST\*

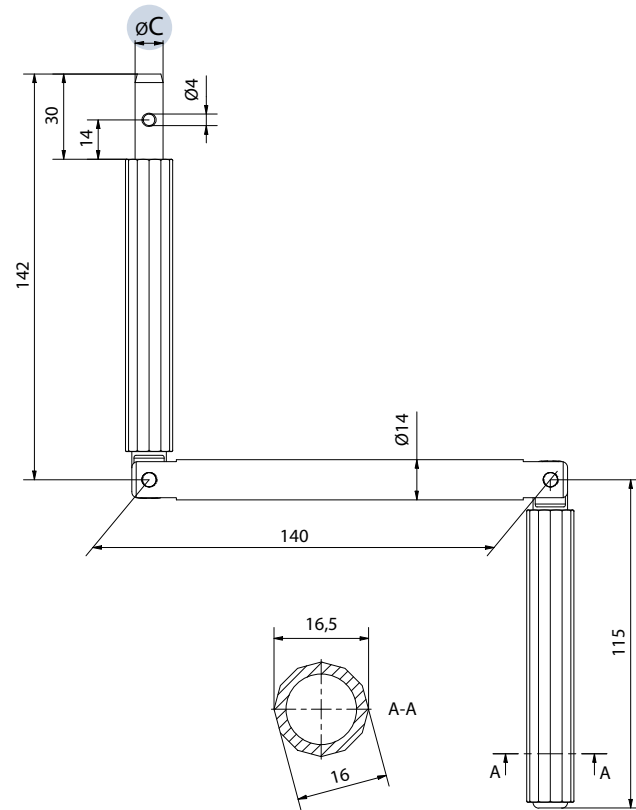


(\*). Colours on request with minimum order quantity.

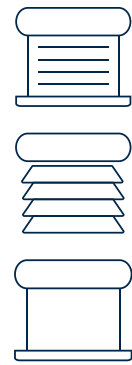
# FOLDABLE CRANK Ø 14 HANDLE 16

140 mm centre-to-centre distance lever arm

- Crank structure in Duraluminium.
- Extremities in polished Duraluminium.
- Handles in shock resistant plastic material.
- Positioning spring.
- Swivelling pins in stainless steel.



CRANKS  
AND  
UNIVERSAL  
JOINTS

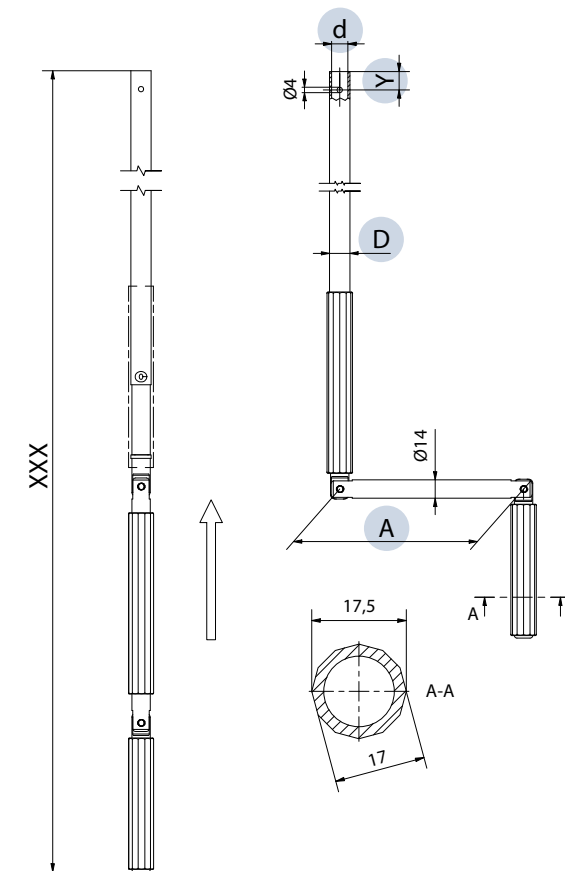


# FOLDABLE CRANK Ø 14 HANDLE 17

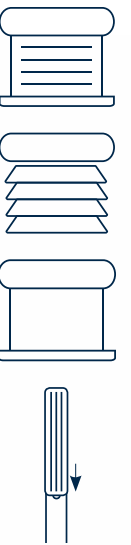
WITH ASSEMBLED TUBE Ø 13X1,5

180 mm centre-to-centre distance lever arm

- XXX Length from 100 cm to 300 cm (For all available lengths, please contact Sales Department).
- Crank structure in powder-coated Duraluminium.
- Invisible tube coupling.



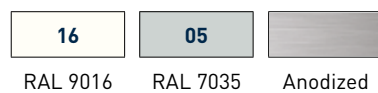
CRANKS  
AND  
UNIVERSAL  
JOINTS



CODE	C	FINISH/COLOUR	MAX TORQUE APPLIED
742010AVCHXX	Ø 9,9	Natural anodized	5 Nm
742012AVCHXX	Ø 11,9	Natural anodized	5 Nm
742110VLCHXX	Ø 9,9	Powder-coated	5 Nm
742112VLCHXX	Ø 11,9	Powder-coated	5 Nm

XX: Complete the product code with the colour code.

STANDARD COLOURS



COLOURS ON REQUEST\*

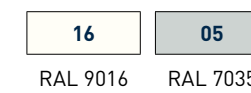


(\*) Colours on request with minimum order quantity.

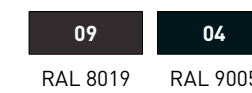
CODE	A	D	d	Y	FINISH/COLOUR	MAX TORQUE APPLIED
7457XXXN2607	180 mm	13	10	6	RAL 9016	6 Nm
7457XXXN2707	180 mm	13	10	6	RAL 7035	6 Nm

XXX: Complete the code with the desired length. For the available lengths, contact the Sales Department.

STANDARD COLOURS



COLOURS ON REQUEST\*



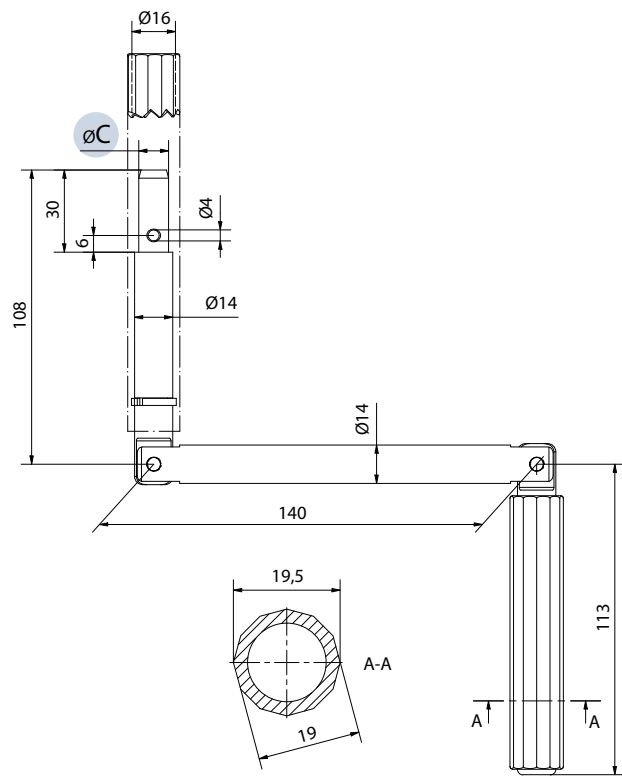
(\*) Colours on request with minimum order quantity.



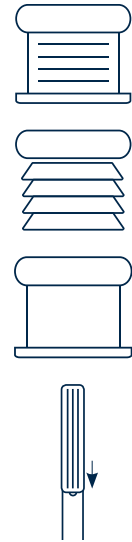
# FOLDABLE CRANK Ø 14 HANDLE 19,5

140 mm centre-to-centre distance  
lever arm

- Crank structure in Duraluminium.
- Extremities in polished Duraluminium.
- Handles in shock resistant plastic material.
- Positioning spring in zinc-plated steel.
- Swivelling pins in stainless steel.
- Invisible tube coupling.



CRANKS  
AND  
UNIVERSAL  
JOINTS

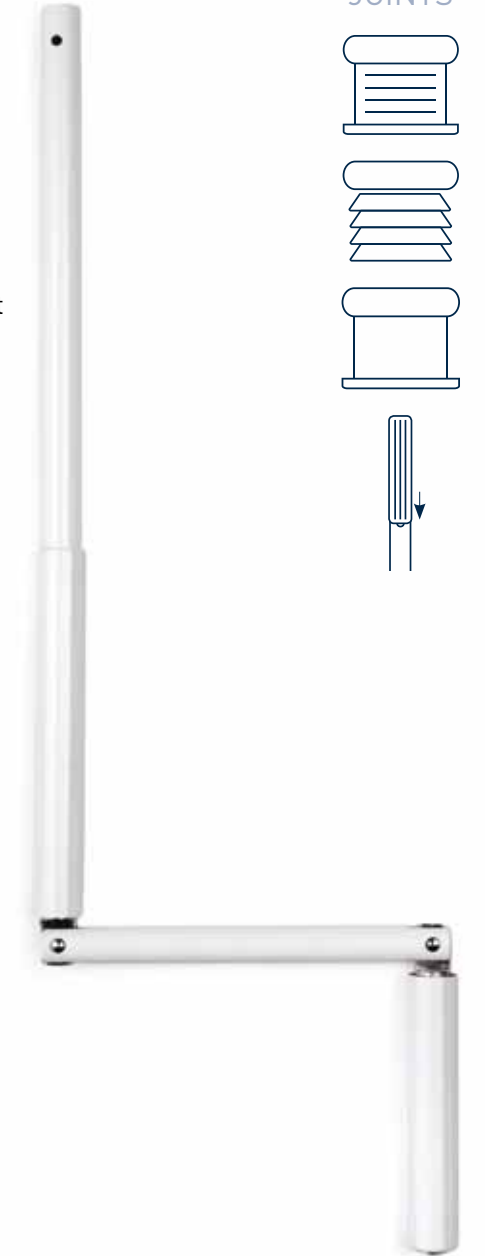
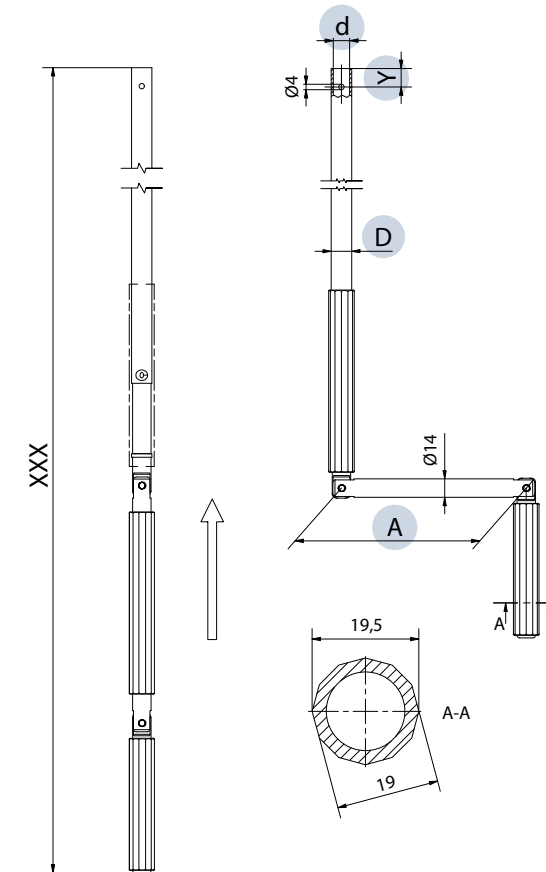


# FOLDABLE CRANK Ø 14 HANDLE 19,5

WITH ASSEMBLED TUBE Ø 15,5X1,5

140 or 180 mm centre-to-centre distance  
lever arm

- XXX Length from 100 cm to 300 cm (For all available lengths, please contact Sales Department).
- Crank structure in powder-coated or anodized Duraluminium.
- Invisible tube coupling.

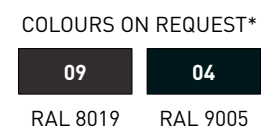
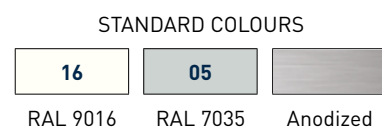


CRANKS  
AND  
UNIVERSAL  
JOINTS



CODE	C	FINISH/COLOUR	MAX TORQUE APPLIED
746111VLCHXX	Ø 10,9	Powder-coated	6 Nm
746112VLCHXX	Ø 11,9	Powder-coated	6 Nm
746112AVCH05	Ø 11,9	Anodized	6 Nm

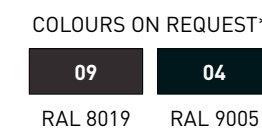
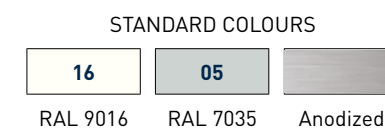
XX: Complete the product code with the colour code.



(\*) Colours on request with minimum order quantity.

CODE	A	D	d	Y	FINISH/COLOUR	HANDLES COLOUR	MAX TORQUE APPLIED
7461XXXN1802	140 mm	15,5	12,5	6	RAL 9016	RAL 9016	6 Nm
7461XXXN1803	140 mm	15,5	12,5	14	RAL 9016	RAL 9016	6 Nm
7461XXXN1902	140 mm	15,5	12,5	6	RAL 7035	RAL 7035	6 Nm
7461XXXN1903	140 mm	15,5	12,5	14	RAL 7035	RAL 7035	6 Nm
7461XXXN1602	140 mm	15,5	12,5	6	Anodized	RAL 7035	6 Nm
7461XXXN1606	140 mm	15,5	12,5	14	Anodized	RAL 7035	6 Nm
7467XXXN1802	180 mm	15,5	12,5	6	RAL 9016	RAL 9016	6 Nm
7467XXXN1803	180 mm	15,5	12,5	14	RAL 9016	RAL 9016	6 Nm
7467XXXN1902	180 mm	15,5	12,5	6	RAL 7035	RAL 7035	6 Nm

XXX: Complete the code with the desired length. For the available lengths, contact the Sales Department.

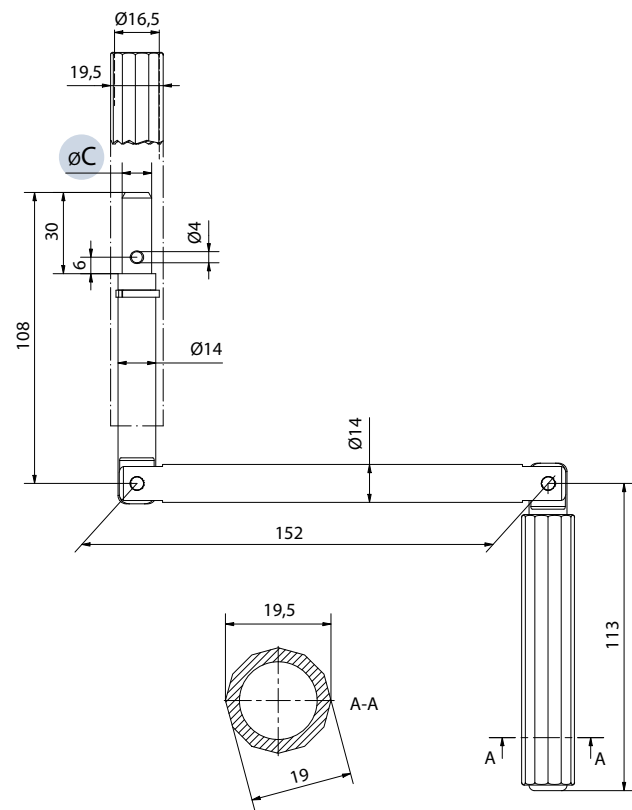


(\*) Colours on request with minimum order quantity.

# FOLDABLE CRANK Ø 14 HANDLE 19,5 IN PLATED AND ALUMINIUM

152 mm centre-to-centre distance lever arm

- Crank structure in nickel-plated steel.
- Handles in shock resistant plastic material.
- Positioning spring.
- Swivelling pins in stainless steel.
- Invisible tube coupling.
- Available on request with assembled powder-coated aluminium tube.



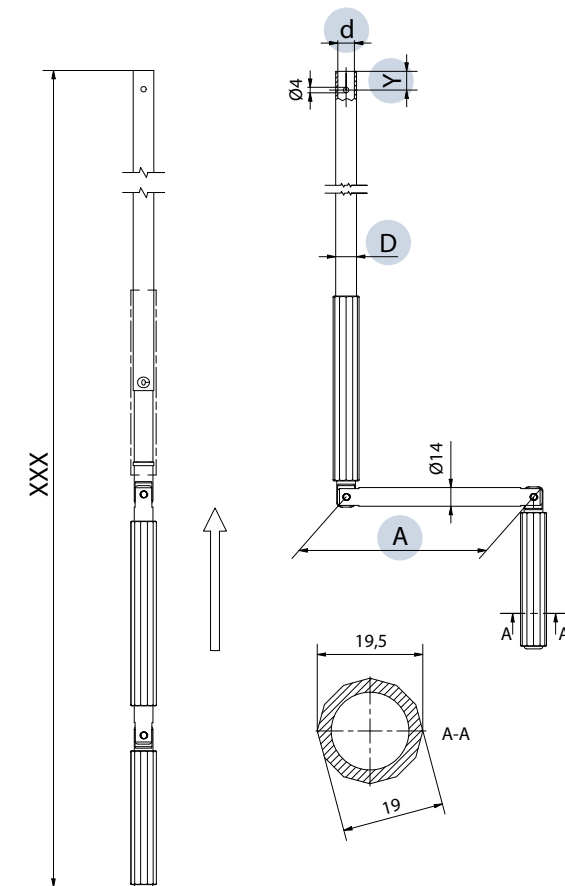
CRANKS  
AND  
UNIVERSAL  
JOINTS



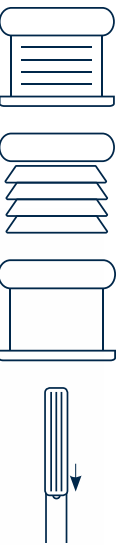
# FOLDABLE CRANK Ø 14 HANDLE 19,5 IN PLATED AND ALUMINIUM

140 mm centre-to-centre distance lever arm, with  
powder-coated assembled tube Ø 15,5x1,5

- XXX Length from 100 cm to 300 cm (For all available lengths, please contact Sales Department).
- Crank structure in zinc-plated and powder-coated steel.
- Tube in Duraluminium.
- Invisible tube coupling.



CRANKS  
AND  
UNIVERSAL  
JOINTS



CODE	C	FINISH/COLOUR	MAX TORQUE APPLIED
750011CHXX	Ø 10,9	Nickel-plated	8 Nm
750012CHXX	Ø 11,9	Nickel-plated	8 Nm

STANDARD COLOURS



RAL 9016 RAL 7035

COLOURS ON REQUEST\*



RAL 8019 RAL 9005

(\*) Colours on request with minimum order quantity.

CODE	A	D	d	Y	FINISH/COLOUR	MAX TORQUE APPLIED
7501XXXN1802	140 mm	15,5	12,5	6	RAL 9016	8 Nm
7501XXXN1803	140 mm	15,5	12,5	14	RAL 9016	8 Nm
7501XXXN1903	140 mm	15,5	12,5	14	RAL 7035	8 Nm

XXX: Complete the code with the desired length. For the available lengths, contact the Sales Department.

STANDARD COLOURS



RAL 9016 RAL 7035

COLOURS ON REQUEST\*

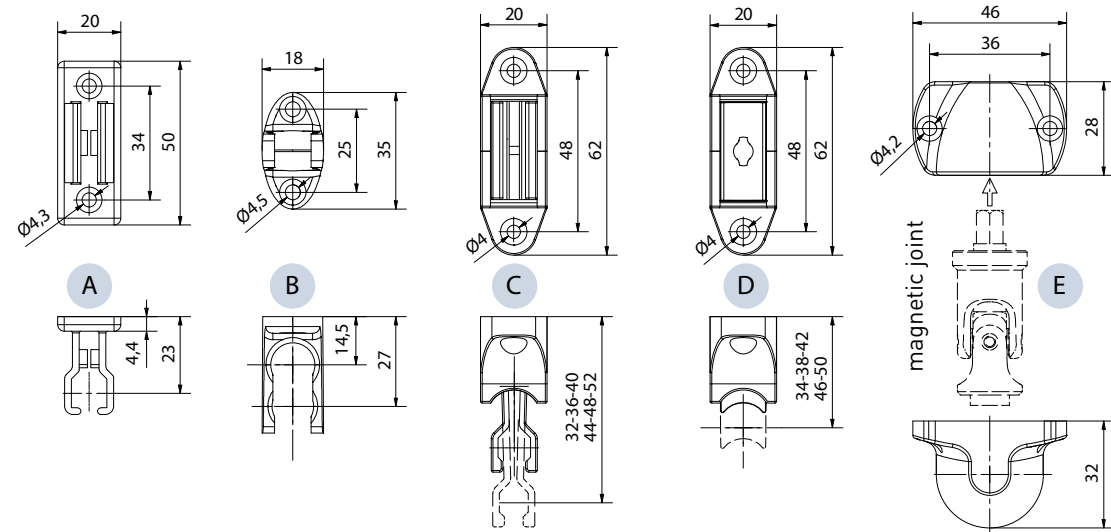


RAL 8019 RAL 9005

(\*) Colours on request with minimum order quantity.

# CRANK HOLDER

- Crank holder in plastic.
- A: Fit for tubes  $\varnothing$  13-15,5 mm.
- B: Fit for tubes  $\varnothing$  13 mm.
- C: Fit for tubes  $\varnothing$  13-15 mm, adjustable.
- D: Magnetic holder, adjustable.
- E: Crank holder for magnetic joint.



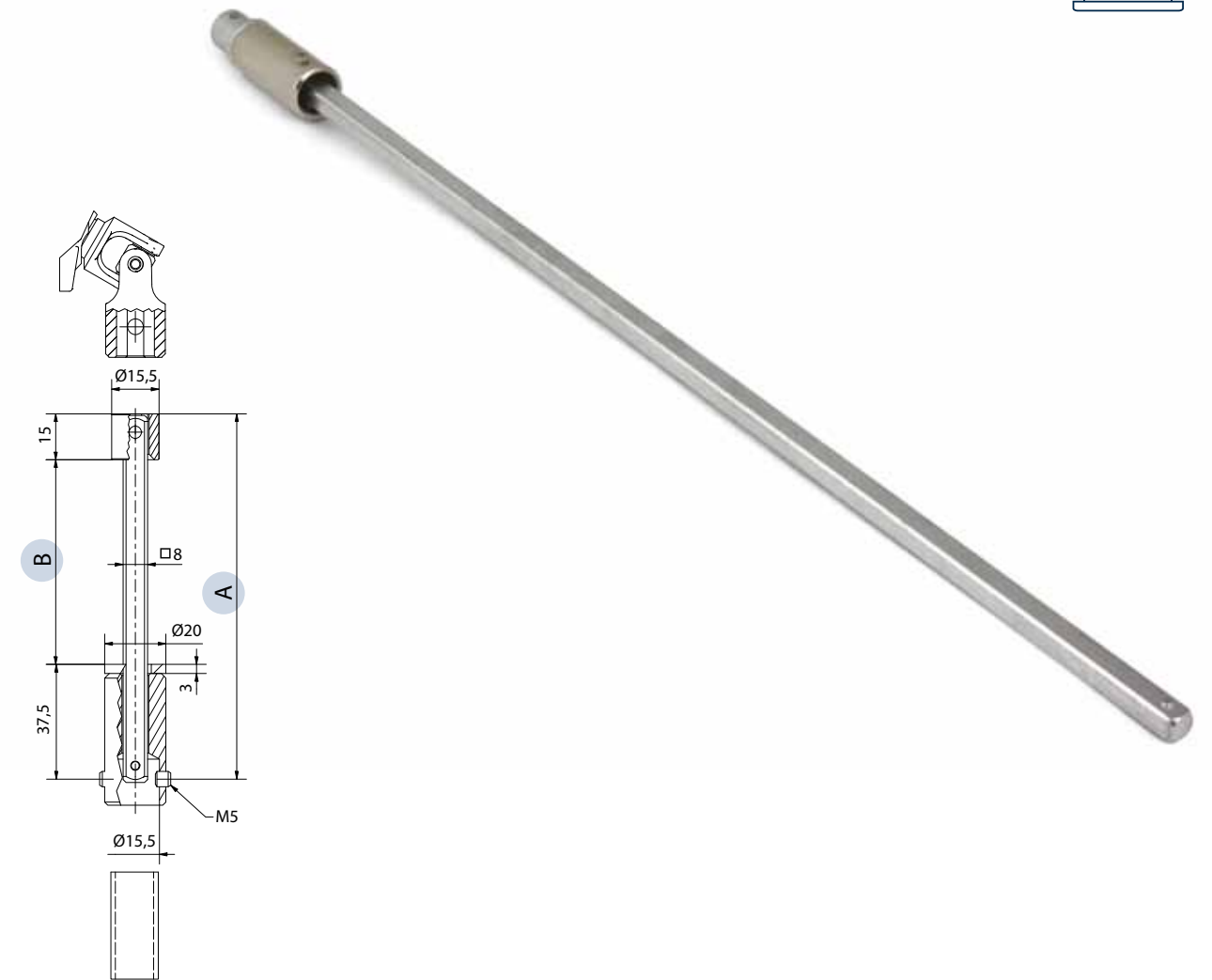
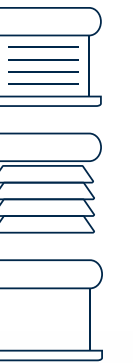
## CRANKS AND UNIVERSAL JOINTS



# KIT FOR EXTENSIBLE CRANK

- Extension  $\square$  8 mm, in zinc-plated steel.
- Connection sleeve  $\varnothing$  15,5 mm to universal joint, zinc-plated steel.
- Connection bush  $\varnothing$  15,5 mm to tube, in nickel-plated steel.
- Fixing on the tube with zinc-plated steel screw M5x5 mm.
- Magnetic ring  $\varnothing$  20x3 mm.

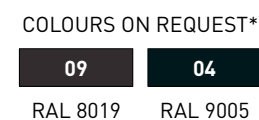
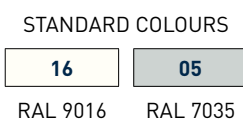
## CRANKS AND UNIVERSAL JOINTS



CODE	DESCRIPTION
7590XX	A
7591XX	B
7592XX	C
7593XX	D
8027XX	E

CODE	A	B
738080373M15	373 mm	321 mm
738080650M15	650 mm	598 mm

XX: Complete the product code with the colour code.

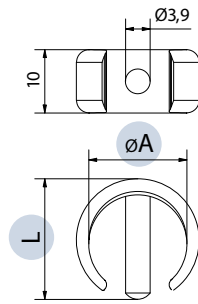


(\*) Colours on request with minimum order quantity.



# FIXING CLIP

- Plastic material.
- Stainless steel  $\varnothing 3,9$ .

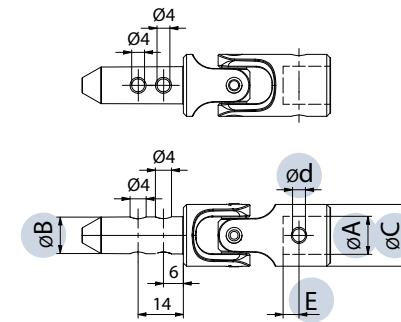


CRANKS  
AND  
UNIVERSAL  
JOINTS



# UNIVERSAL JOINT $\varnothing 19$ AND $\varnothing 17$

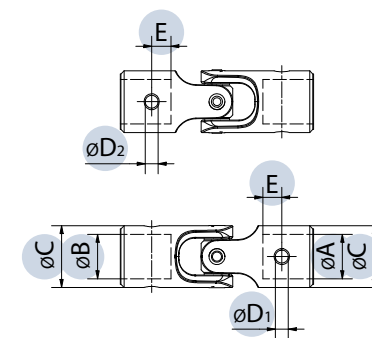
- Universal joint in powder-coated Zamak.
- Rivets in stainless steel.
- Floating on POM bearings.



CRANKS  
AND  
UNIVERSAL  
JOINTS



CODE	A	B	C	d	E	MAX TORQUE APPLIED
7600ZLCHXX	$\varnothing 10,1$	$\varnothing 11,9$	$\varnothing 19,5$	$\varnothing 4$	6	8 Nm
7602ZLCHXX	$\varnothing 12,1$	$\varnothing 11,9$	$\varnothing 19,5$	$\varnothing 4$	6	8 Nm
7608ZLCHXX	$\varnothing 10,1$	$\varnothing 9,9$	$\varnothing 19,5$	$\varnothing 4$	6	8 Nm
7610ZLCHXX	$\varnothing 12,1$	$\varnothing 9,9$	$\varnothing 19,5$	$\varnothing 4$	6	8 Nm
7902ZNCHNK	$\varnothing 10,1$	$\varnothing 9,7$	$\varnothing 17$	$\varnothing 4$	9	8 Nm
7905ZNCHNK	$\varnothing 12,1$	$\varnothing 9,7$	$\varnothing 17$	$\varnothing 3$	9	8 Nm
7913ZNCHNK	$\varnothing 10,1$	$\varnothing 9,7$	$\varnothing 17$	$\varnothing 3; M5$	9	8 Nm



CODE	A	B	C	D1	D2	E	MAX TORQUE APPLIED
7615ZLCHXX	$\varnothing 10,1$	$\varnothing 12,1$	$\varnothing 19,5$	$\varnothing 4$	$\varnothing 4$	6	8 Nm
7660ZLCHXX	$\square 8$	$\varnothing 15,5$	$\varnothing 19,5$	$\varnothing 4; M6$	$\varnothing 4$	6	8 Nm
7664ZLCHXX	$\varnothing 13,1$	$\varnothing 15,5$	$\varnothing 19,5$	$\varnothing 4$	$\varnothing 4$	6	8 Nm

CODE	A	L
7595XX	$\varnothing 13$	16,5 mm
7596XX	$\varnothing 15,5$	20 mm

STANDARD COLOURS		COLOURS ON REQUEST*	
16	05	09	04
RAL 9016	RAL 7035	RAL 8019	RAL 9005

(\*) Colours on request with minimum order quantity.

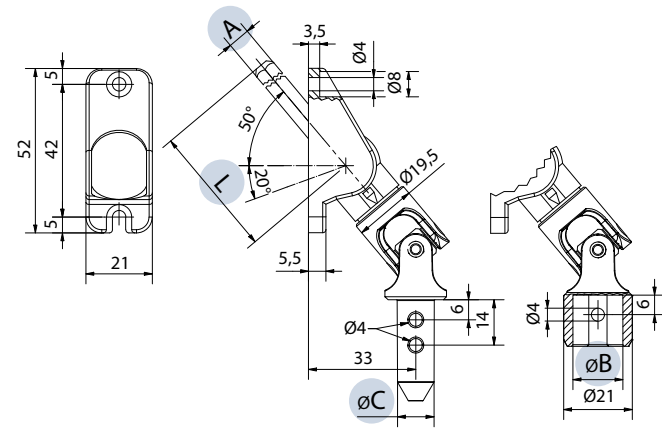
XX: Complete the product code with the colour code.

STANDARD COLOURS			COLOURS ON REQUEST*	
16	05	NK	09	04
RAL 9016	RAL 7035	Nickel plating	RAL 8019	RAL 9005

(\*) Colours on request with minimum order quantity.

# UNIVERSAL JOINT 50° NYLON PLATE

- Plate in Nylon.
- Universal joint in powder-coated Zamak.
- Driving rod in zinc-plated steel.
- Floating on POM bearings.
- Rivets in stainless steel.
- Modular system with fast-coupling

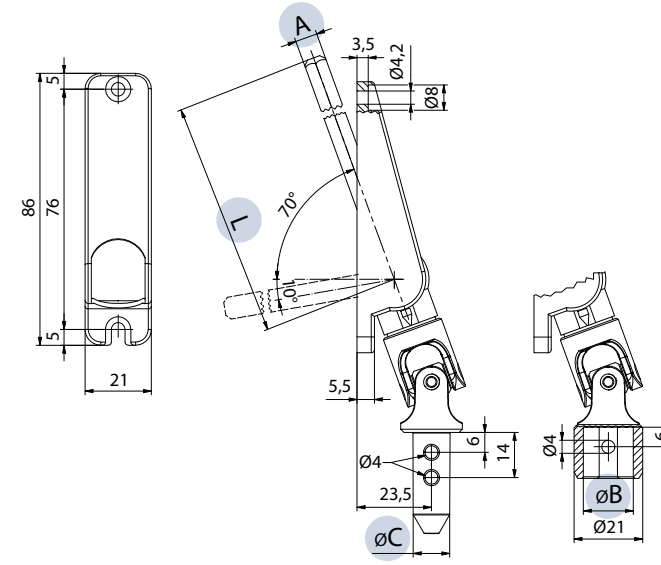


CRANKS  
AND  
UNIVERSAL  
JOINTS



# UNIVERSAL JOINT 70° NYLON PLATE

- Plate in Nylon.
- Universal joint in powder-coated Zamak.
- Driving rod in zinc-plated steel.
- Floating on POM bearings.
- Rivets in stainless steel.
- Modular system with fast-coupling



CRANKS  
AND  
UNIVERSAL  
JOINTS



CODE	A	B	C	L	MAX TORQUE APPLIED
77086030F15XX	◇ 6	Ø 15,5		300 mm	8 Nm
77086030M12XX	◇ 6		Ø 11,9	300 mm	8 Nm
77088025F15XX	□ 8	Ø 15,5		250 mm	8 Nm
77088040F15XX	□ 8	Ø 15,5		400 mm	8 Nm
77087030F15XX	◇ 7	Ø 15,5		300 mm	8 Nm
77087030M10XX	◇ 7		Ø 9,9	300 mm	8 Nm
77087030M12XX	◇ 7		Ø 11,9	300 mm	8 Nm
77085030F15XX	□ 6	Ø 15,5		300 mm	8 Nm
77085030M10XX	□ 6		Ø 9,9	300 mm	8 Nm
77085030M12XX	□ 6		Ø 11,9	300 mm	8 Nm

STANDARD COLOURS



RAL 9016 RAL 7035

COLOURS ON REQUEST\*



RAL 8019 RAL 9005

[\*] Colours on request with minimum order quantity.

XX: Complete the product code with the colour code.

CODE	A	B	C	L	MAX TORQUE APPLIED
77016030F15XX	◇ 6	Ø 15,5		300 mm	8 Nm
77016030M12XX	◇ 6		Ø 11,9	300 mm	8 Nm
77018025F15XX	□ 8	Ø 15,5		250 mm	8 Nm
77018025M12XX	□ 8		Ø 11,9	250 mm	8 Nm
77018040F15XX	□ 8	Ø 15,5		400 mm	8 Nm
77018040M12XX	□ 8		Ø 11,9	400 mm	8 Nm
77017030F15XX	◇ 7	Ø 15,5		300 mm	8 Nm
77015030F15XX	□ 6	Ø 15,5		300 mm	8 Nm
77015030M12XX	□ 6		Ø 11,9	300 mm	8 Nm

STANDARD COLOURS



RAL 9016 RAL 7035

COLOURS ON REQUEST\*



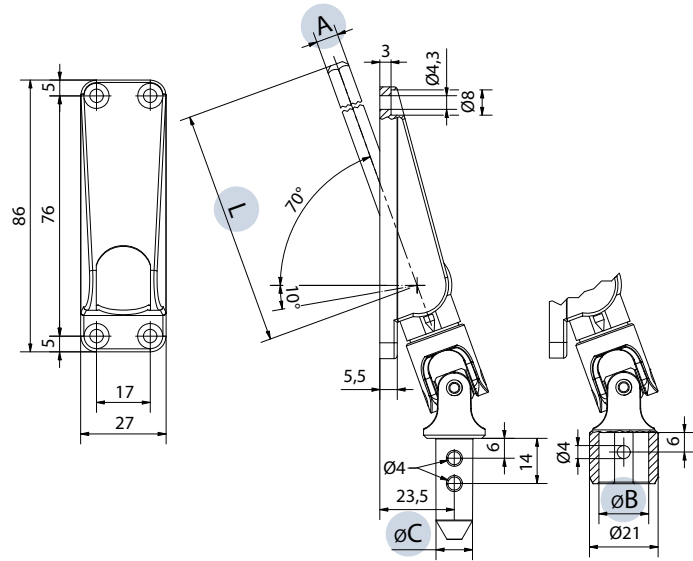
RAL 8019 RAL 9005

XX: Complete the product code with the colour code.

[\*] Colours on request with minimum order quantity.

# UNIVERSAL JOINT 70° NYLON PLATE

- Plate in Nylon.
- Universal joint in powder-coated Zamak.
- Driving rod in zinc-plated steel.
- Floating on POM bearings.
- Rivets in stainless steel.
- Modular system with fast-coupling



CODE	A	B	C	L	MAX TORQUE APPLIED
77216030F15XX	□ 6	∅ 15,5		300 mm	8 Nm
77216030M12XX	□ 6		∅ 11,9	300 mm	8 Nm
77218025F15XX	□ 8	∅ 15,5		250 mm	8 Nm
77218025M12XX	□ 8		∅ 11,9	250 mm	8 Nm
77218040F15XX	□ 8	∅ 15,5		400 mm	8 Nm
77218040M12XX	□ 8		∅ 11,9	400 mm	8 Nm
77217030F15XX	□ 7	∅ 15,5		300 mm	8 Nm
77217030M12XX	□ 7		∅ 11,9	300 mm	8 Nm
77215030F15XX	□ 6	∅ 15,5		300 mm	8 Nm
77215030M12XX	□ 6		∅ 11,9	300 mm	8 Nm

STANDARD COLOURS



RAL 9016 RAL 7035

COLOURS ON REQUEST\*



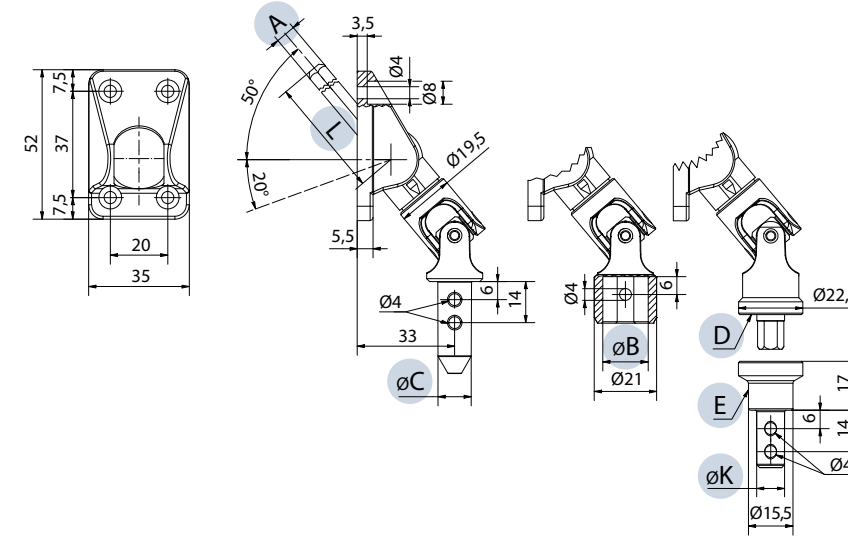
RAL 8019 RAL 9005

(\*) Colours on request with minimum order quantity.

XX: Complete the product code with the colour code.

# UNIVERSAL JOINT 50° NYLON PLATE

- Plate in Nylon.
- Universal joint in powder-coated Zamak.
- Driving rod in zinc-plated steel.
- Floating on POM bearings.
- Rivets in stainless steel.
- Modular system with fast-coupling



CODE	A	B	C	D	E	K	L	MAX TORQUE APPLIED
77436030F15XX	□ 6	∅ 15,5					300 mm	8 Nm
77436030M12XX	□ 6		∅ 11,9				300 mm	8 Nm
77438025F15XX	□ 8	∅ 15,5					250 mm	8 Nm
77438040CAXX	□ 8				magnetic		400 mm	8 Nm
77438040F15XX	□ 8	∅ 15,5					400 mm	8 Nm
77437030F15XX	□ 7	∅ 15,5					300 mm	8 Nm
77437030M12XX	□ 7		∅ 11,9				300 mm	8 Nm
77435030F15XX	□ 6	∅ 15,5					300 mm	8 Nm
77435030M12XX	□ 6		∅ 11,9				300 mm	8 Nm
784410CAXX					Magnetic adapter for tube ∅ 13 mm	∅ 9,9		
784412CAXX					Magnetic adapter for tube ∅ 15,5 mm	∅ 11,9		
8027XX					Magnetic crank holder kit			

STANDARD COLOURS



RAL 9016 RAL 7035

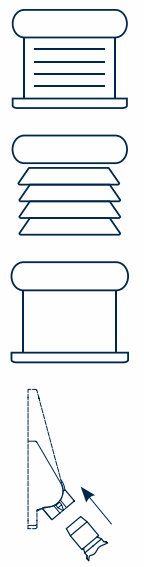
COLOURS ON REQUEST\*



RAL 8019 RAL 9005

XX: Complete the product code with the colour code.

CRANKS AND UNIVERSAL JOINTS

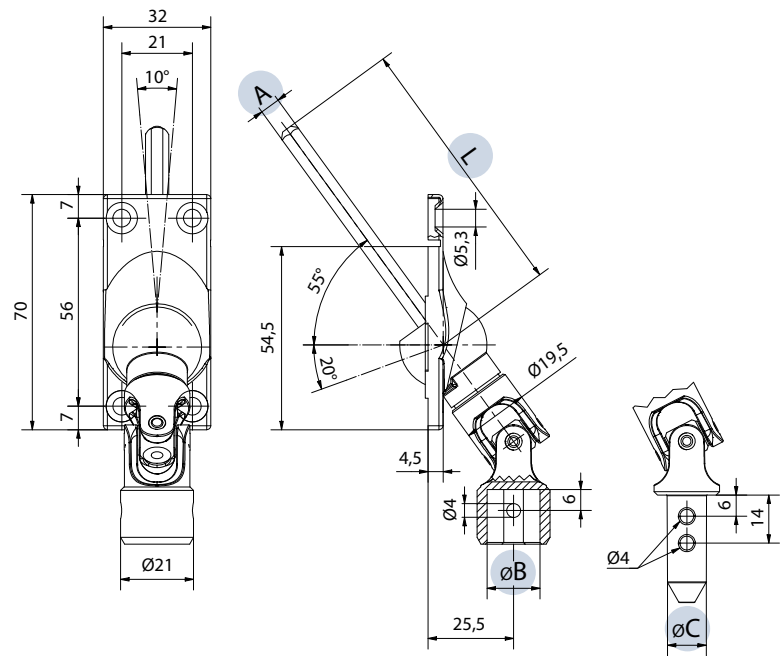






# UNIVERSAL JOINT 65° STAINLESS STEEL PLATE

- Plate in stainless steel.
- Universal joint in nickel-plated Zamak.
- Driving rod in zinc-plated steel.
- Floating on POM bearings.
- Rivets in stainless steel.
- Modular system with fast-coupling

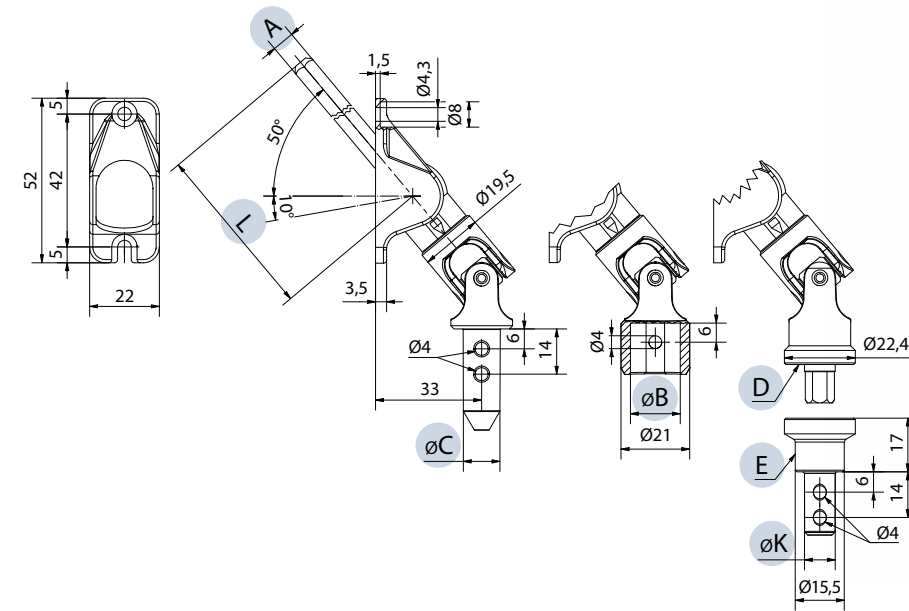


CRANKS  
AND  
UNIVERSAL  
JOINTS



# UNIVERSAL JOINT 50° ZAMAK PLATE

- Plate in nickel-plated Zamak.
- Universal joint in nickel-plated Zamak.
- Driving rod in zinc-plated steel.
- Floating on POM bearings.
- Rivets in stainless steel.
- Modular system with fast-coupling



CRANKS  
AND  
UNIVERSAL  
JOINTS



CODE	A	B	C	L	MAX TORQUE APPLIED
77426030M12N	◇ 6		Ø 11,9	300 mm	8 Nm
77428025F15N	□ 8	Ø 15,5		250 mm	8 Nm
77428025M10N	□ 8		Ø 9,9	250 mm	8 Nm
77428025M12N	□ 8		Ø 11,9	250 mm	8 Nm
77428040F15N	□ 8	Ø 15,5		400 mm	8 Nm
77428040M12N	□ 8		Ø 11,9	400 mm	8 Nm
77427030F15N	◇ 7	Ø 15,5		300 mm	8 Nm
77427030M12N	◇ 7		Ø 11,9	300 mm	8 Nm

NK

Nickel plating

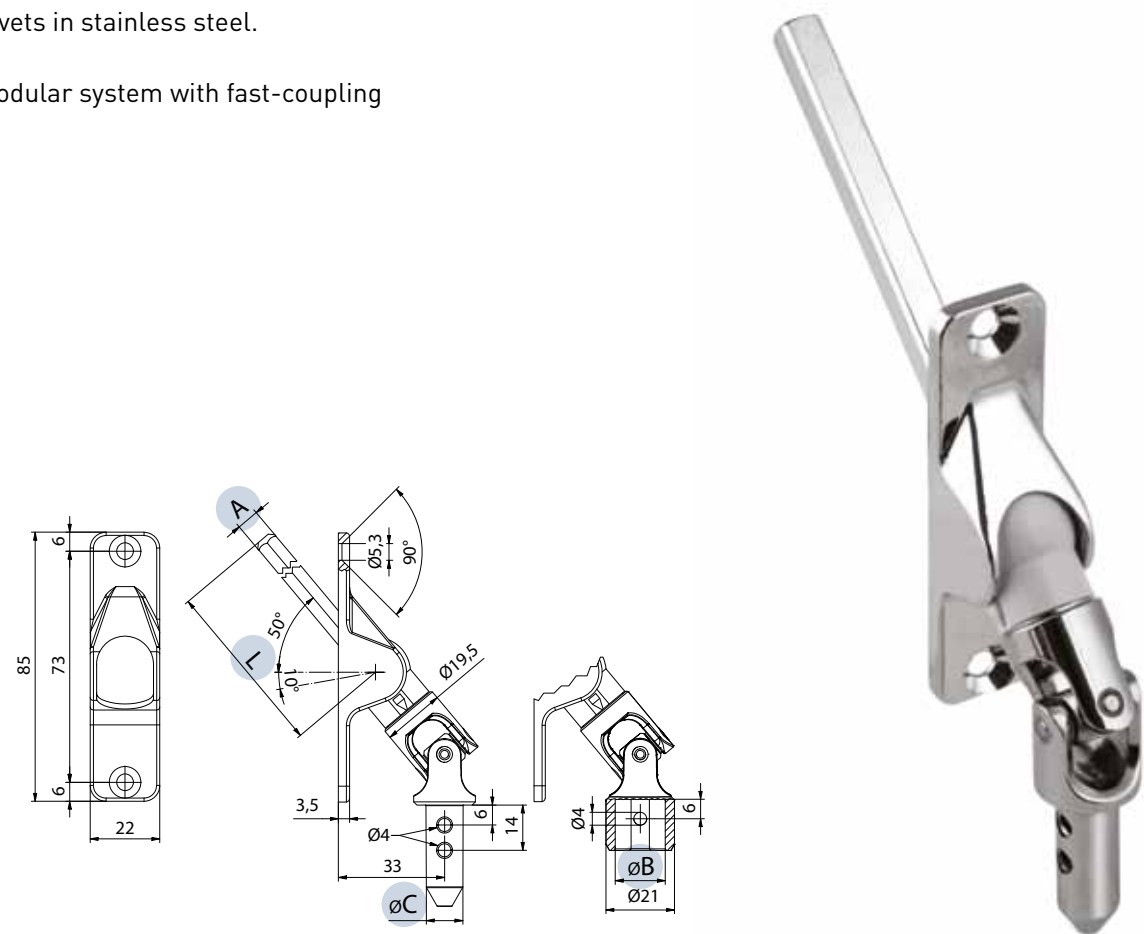
CODE	A	B	C	D	E	K	L	MAX TORQUE APPLIED
77098025CANK	□ 8				magnetic		250 mm	8 Nm
77098025F15NK	□ 8	Ø 15,5					250 mm	8 Nm
77098025M12NK	□ 8		Ø 11,9				250 mm	8 Nm
77098040M10NK	□ 8		Ø 9,9				400 mm	8 Nm
77098040M12NK	□ 8		Ø 11,9				400 mm	8 Nm
784410CANK					Magnetic adapter for tube Ø 13 mm	Ø 9,9		
784412CANK					Magnetic adapter for tube Ø 15,5 mm	Ø 11,9		
802705					Magnetic crank holder kit			

NK

Nickel plating

# UNIVERSAL JOINT 50° ZAMAK PLATE

- Plate in nickel-plated Zamak.
- Universal joint in nickel-plated Zamak.
- Driving rod in zinc-plated steel.
- Floating on POM bearings.
- Rivets in stainless steel.
- Modular system with fast-coupling



CRANKS  
AND UNI-  
VERSAL  
JOINTS

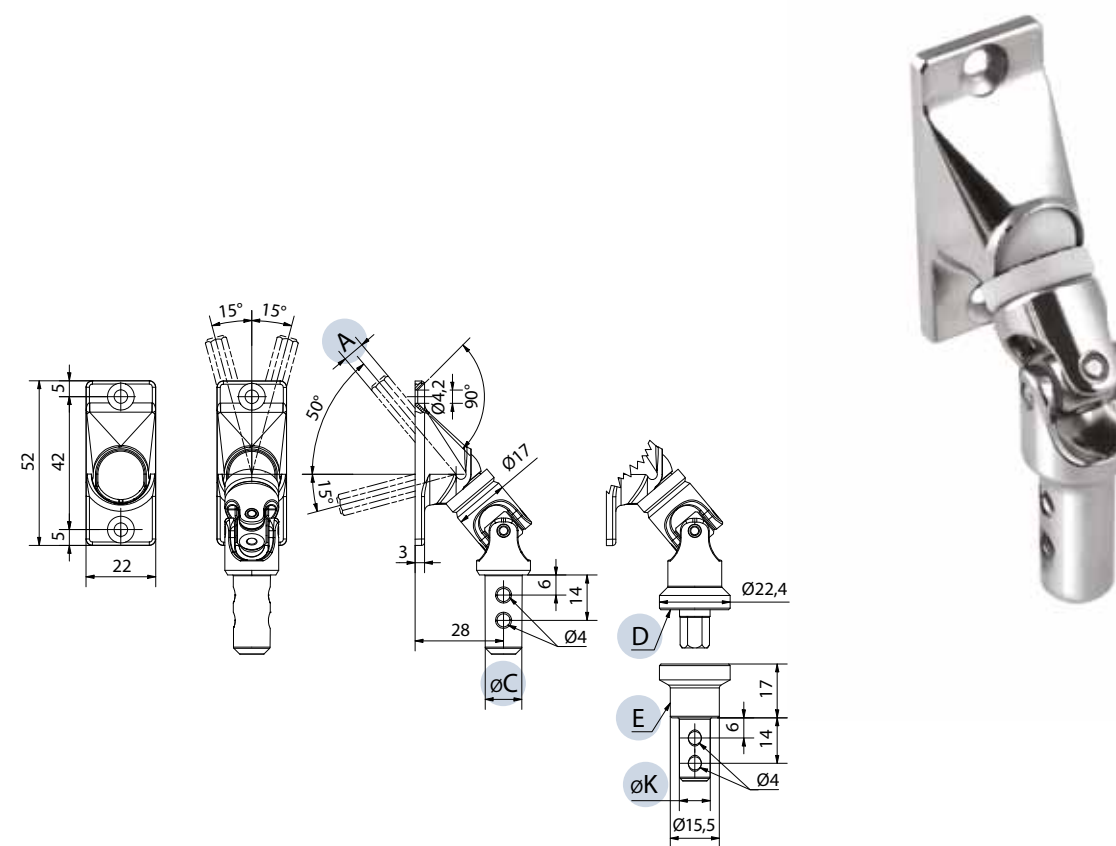


# UNIVERSAL JOINT 50° ZAMAK PLATE

## 2 holes with lateral movement

- Plate in powder-coated or nickel-plated Zamak.
- Universal joint in powder-coated or nickel-plated Zamak.
- Floating on POM bearings.
- Rivets in stainless steel.

CRANKS  
AND UNI-  
VERSAL  
JOINTS



CODE	A	B	C	L	MAX TORQUE APPLIED
77058025F15NK	□ 8	∅ 15,5		250 mm	8 Nm
77058040F15NK	□ 8	∅ 15,5		400 mm	8 Nm
77058040M10NK	□ 8		∅ 9,9	400 mm	8 Nm
77058040M12NK	□ 8		∅ 11,9	400 mm	8 Nm

CODE	A	C	D	E	K	MAX TORQUE APPLIED
78016000M10XX	∅ 6	∅ 9,9				6 Nm
78016000M12XX	∅ 6	∅ 11,9				6 Nm
78015000CAXX	□ 6		magnetic			6 Nm
78015000M10XX	□ 6	∅ 9,9				6 Nm
78015000M12XX	□ 6	∅ 11,9				6 Nm
784410CAXX				Magnetic adapter for tube ∅ 13 mm	∅ 9,9	
784412CAXX				Magnetic adapter for tube ∅ 15,5 mm	∅ 11,9	
8027XX	Magnetic crank holder kit					

**NK**  
Nickel plating

XX: Complete the product code with the colour code.

STANDARD COLOURS	COLOURS ON REQUEST*
16 RAL 9016	05 RAL 7035
NK Nickel plating	09 RAL 8019

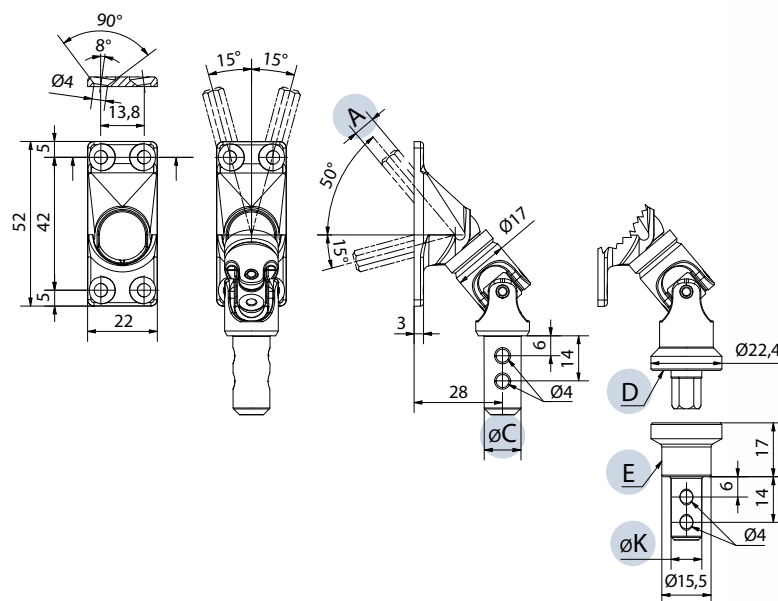
(\*) Colours on request with minimum order quantity.



# UNIVERSAL JOINT 50° ZAMAK PLATE

## 4 holes with lateral movement

- Plate in powder-coated or nickel-plated Zamak.
- Universal joint in powder-coated or nickel-plated Zamak.
- Floating on POM bearings.
- Rivets in stainless steel.



CRANKS  
AND  
UNIVERSAL  
JOINTS



CODE	A	C	D	E	K	MAX TORQUE APPLIED
78026000CAXX	6		magnetic			6 Nm
78026000M10XX	6	Ø 9,9				6 Nm
78026000M12XX	6	Ø 11,9				6 Nm
78025000CAXX	6		magnetic			6 Nm
78025000M10XX	6	Ø 9,9				6 Nm
78025000M12XX	6	Ø 11,9				6 Nm
78027000CAXX	7		magnetic			6 Nm
784410CAXX				Magnetic adapter for tube Ø 13 mm	Ø 9,9	
784412CAXX				Magnetic adapter for tube Ø 15,5 mm	Ø 11,9	
8027XX	Magnetic crank holder kit					

XX: Complete the product code with the colour code.

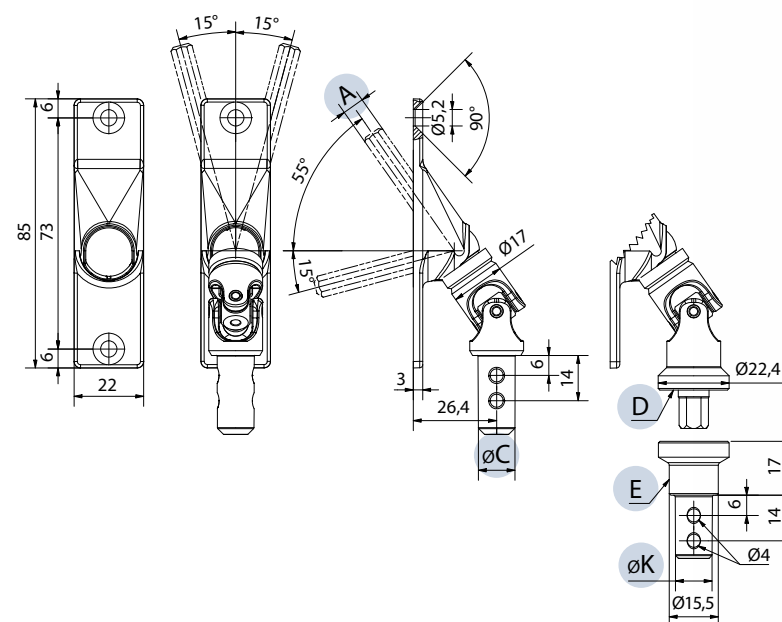


(\*) Colours on request with minimum order quantity.

# UNIVERSAL JOINT 55° ZAMAK PLATE

## 2 holes with lateral movement

- Plate in powder-coated or nickel-plated Zamak.
- Universal joint in powder-coated or nickel-plated Zamak.
- Floating on POM bearings.
- Rivets in stainless steel.

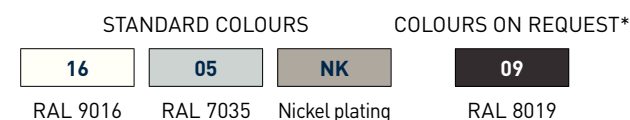


CRANKS  
AND  
UNIVERSAL  
JOINTS



CODE	A	C	D	E	K	MAX TORQUE APPLIED
78036000CAXX	6		magnetic			6 Nm
78036000M10XX	6	Ø 9,9				6 Nm
78036000M12XX	6	Ø 11,9				6 Nm
78035000CAXX	6		magnetic			6 Nm
78035000M10XX	6	Ø 9,9				6 Nm
78035000M12XX	6	Ø 11,9				6 Nm
78037000CAXX	7		magnetic			6 Nm
784410CAXX				Magnetic adapter for tube Ø 13 mm	Ø 9,9	
784412CAXX				Magnetic adapter for tube Ø 15,5 mm	Ø 11,9	
8027XX	Magnetic crank holder kit					

XX: Complete the product code with the colour code.

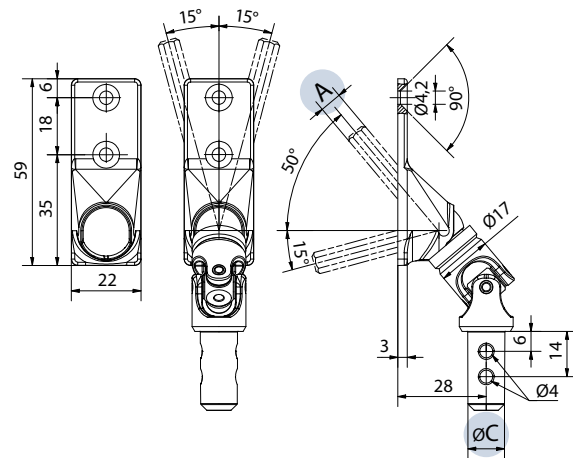


(\*) Colours on request with minimum order quantity.

# UNIVERSAL JOINT 50° ZAMAK PLATE

## 2 holes with lateral movement

- Plate in powder-coated or nickel-plated Zamak.
- Universal joint in powder-coated or nickel-plated Zamak.
- Floating on POM bearings.
- Rivets in stainless steel.



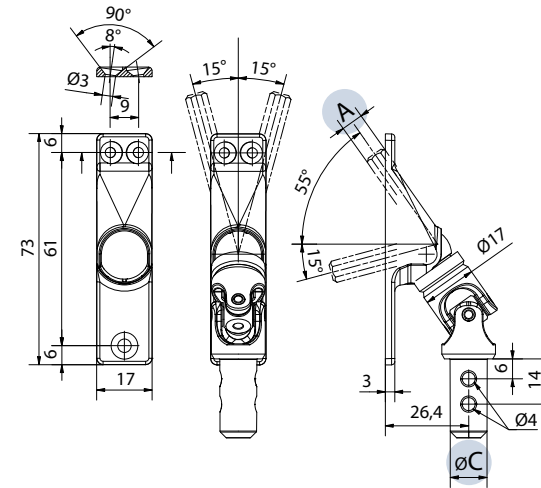
CRANKS  
AND  
UNIVERSAL  
JOINTS



# UNIVERSAL JOINT 55° ZAMAK PLATE

## 3 holes with lateral movement

- Plate in powder-coated or nickel-plated Zamak.
- Universal joint in powder-coated or nickel-plated Zamak.
- Floating on POM bearings.
- Rivets in stainless steel.



CRANKS  
AND  
UNIVERSAL  
JOINTS



CODE	A	C	MAX TORQUE APPLIED
78056000M10XX	◇ 6	Ø 9,9	6 Nm
78056000M12XX	◇ 6	Ø 11,9	6 Nm
78055000M10XX	□ 6	Ø 9,9	6 Nm
78055000M12XX	□ 6	Ø 11,9	6 Nm

XX: Complete the product code with the colour code.

STANDARD COLOURS		COLOURS ON REQUEST*	
16	05	NK	09
RAL 9016	RAL 7035	Nickel plating	RAL 8019

(\*) Colours on request with minimum order quantity.

CODE	A	C	MAX TORQUE APPLIED
78066000M10XX	◇ 6	Ø 9,9	6 Nm
78066000M12XX	◇ 6	Ø 11,9	6 Nm
78065000M10XX	□ 6	Ø 9,9	6 Nm
78065000M12XX	□ 6	Ø 11,9	6 Nm

XX: Complete the product code with the colour code.

STANDARD COLOURS		COLOURS ON REQUEST*	
16	05	NK	09
RAL 9016	RAL 7035	Nickel plating	RAL 8019

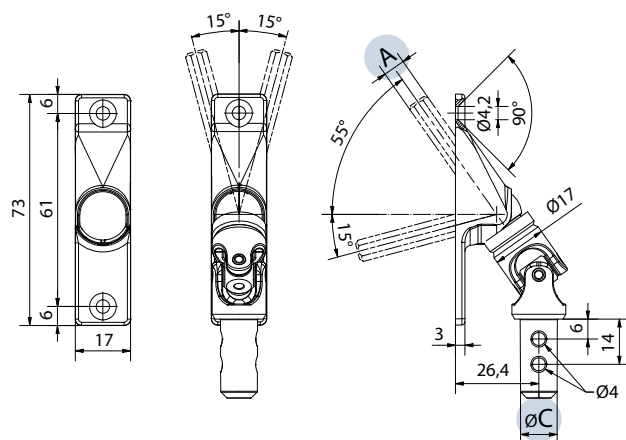
(\*) Colours on request with minimum order quantity.

# UNIVERSAL JOINT 55° ZAMAK PLATE

## 2 holes with lateral movement

- Plate in powder-coated or nickel-plated Zamak.
- Universal joint in powder-coated or nickel-plated Zamak.
- Floating on POM bearings.
- Rivets in stainless steel.

CRANKS  
AND  
UNIVERSAL  
JOINTS



CODE	A	C	MAX TORQUE APPLIED
78076000M10XX	6	Ø 9,9	6 Nm
78076000M12XX	6	Ø 11,9	6 Nm
78075000M10XX	6	Ø 9,9	6 Nm
78075000M12XX	6	Ø 11,9	6 Nm

XX: Complete the product code with the colour code.

STANDARD COLOURS		COLOURS ON REQUEST*	
16	05	NK	09
RAL 9016	RAL 7035	Nickel plating	RAL 8019

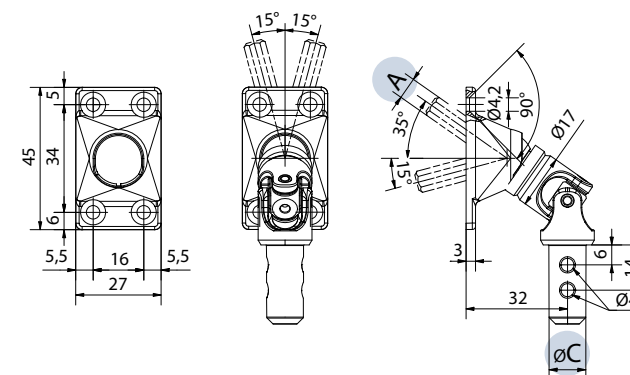
(\*) Colours on request with minimum order quantity.

# UNIVERSAL JOINT 35° ZAMAK PLATE

## 4 holes with lateral movement

- Plate in powder-coated or nickel-plated Zamak.
- Universal joint in powder-coated or nickel-plated Zamak.
- Floating on POM bearings.
- Rivets in stainless steel.

CRANKS  
AND  
UNIVERSAL  
JOINTS



CODE	A	C	MAX TORQUE APPLIED
78086000M10XX	6	Ø 9,9	6 Nm
78086000M12XX	6	Ø 11,9	6 Nm
78085000M10XX	6	Ø 9,9	6 Nm
78085000M12XX	6	Ø 11,9	6 Nm

XX: Complete the product code with the colour code.

STANDARD COLOURS		COLOURS ON REQUEST*	
16	05	NK	09
RAL 9016	RAL 7035	Nickel plating	RAL 8019

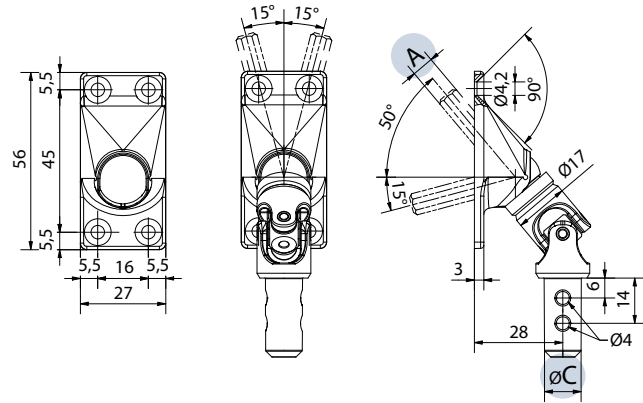
(\*) Colours on request with minimum order quantity.



# UNIVERSAL JOINT 50° ZAMAK PLATE

## 4 holes with lateral movement

- Plate in powder-coated or nickel-plated Zamak.
- Universal joint in powder-coated or nickel-plated Zamak.
- Floating on POM bearings.
- Rivets in stainless steel.

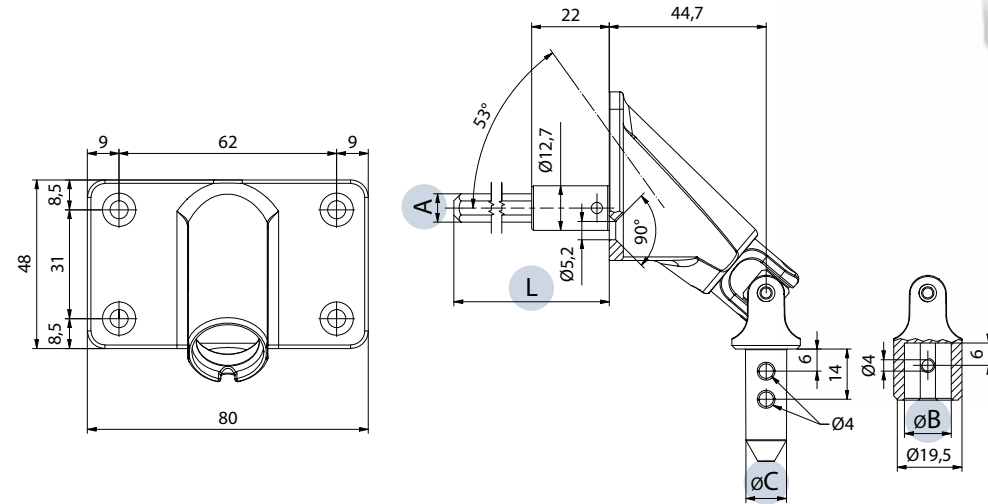


CRANKS  
AND  
UNIVERSAL  
JOINTS



# UNIVERSAL JOINT 90° ZAMAK PLATE

- Plate in powder-coated or nickel-plated Zamak.
- Universal joint in powder-coated or nickel-plated Zamak.
- Driving rod in zinc-plated steel.
- Drive on ball bearing.
- Rivets in stainless steel.
- Floating on POM bearings.



CRANKS  
AND  
UNIVERSAL  
JOINTS



CODE	A	C	MAX TORQUE APPLIED
78096000M10XX	◻ 6	Ø 9,9	6 Nm
78096000M12XX	◻ 6	Ø 11,9	6 Nm
78095000M10XX	◻ 6	Ø 9,9	6 Nm
78095000M12XX	◻ 6	Ø 11,9	6 Nm

XX: Complete the product code with the colour code.

STANDARD COLOURS		COLOURS ON REQUEST*	
16	05	NK	09
RAL 9016	RAL 7035	Nickel plating	RAL 8019

(\*) Colours on request with minimum order quantity.

CODE	A	B	C	L	MAX TORQUE APPLIED
78456033M12XX	◻ 6		Ø 11,9	330 mm	8 Nm
78458028V13XX	◻ 8	Ø 13		280 mm	8 Nm
78458043M12XX	◻ 8		Ø 11,9	430 mm	8 Nm
78458043V13XX	◻ 8	Ø 13		430 mm	8 Nm
78457033M12XX	◻ 7		Ø 11,9	330 mm	8 Nm
78457033V13XX	◻ 7	Ø 13		330 mm	8 Nm
78455033M10XX	◻ 6		Ø 9,9	330 mm	8 Nm
78455033V13XX	◻ 6	Ø 13		330 mm	8 Nm

XX: Complete the product code with the colour code.

STANDARD COLOURS		COLOURS ON REQUEST*	
16	05	09	04
RAL 9016	RAL 7035	RAL 8019	RAL 9005

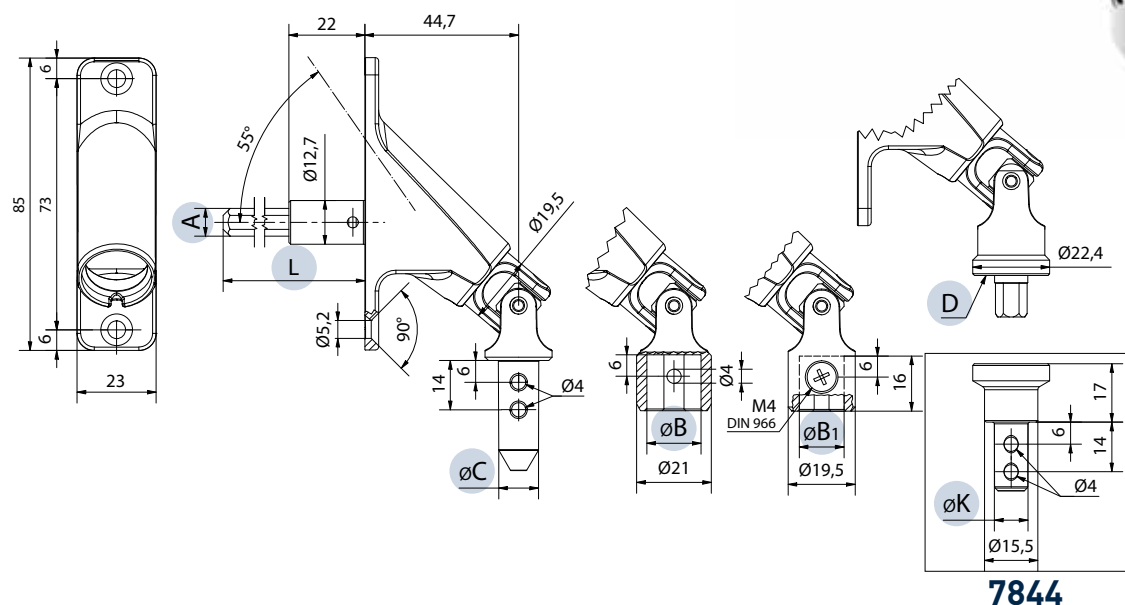
(\*) Colours on request with minimum order quantity.

# UNIVERSAL JOINT 90° ZAMAK PLATE

- Plate in powder-coated or nickel-plated Zamak.
- Universal joint in powder-coated or nickel-plated Zamak.
- Driving rod in zinc-plated steel.
- Drive on ball bearing.
- Rivets in stainless steel.
- Floating on POM bearings.
- Air permeability: VL < 0,05 m³/h (50 Pa) - Complies with EN12114.



CRANKS  
AND  
UNIVERSAL  
JOINTS

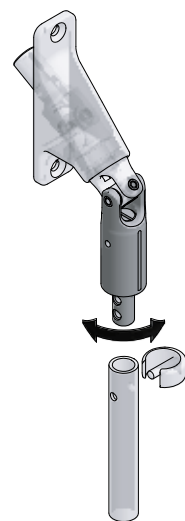
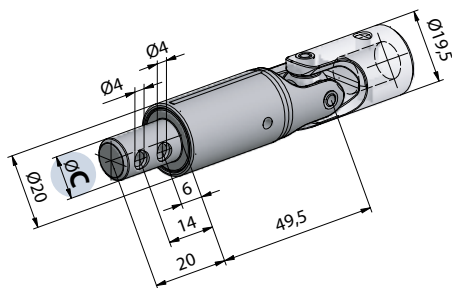


7844

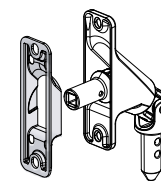
## SAFETY SLIDING CLUTCH

This sliding clutch is a safety device to avoid overloading of gearboxes, drive cranks, plain bearings and rolling shutters caused by improper or careless operations.

The sliding clutch is working on both rotation directions. The sliding clutch is available in three different torques: 7 Nm, 5 Nm or 3 Nm.



## COMPATIBLE ACCESSORIES



7848  
Air stop silicone seal  
page 89

CODE	A	B	B1	C	D	K	L	MAX TORQUE APPLIED
78406033CAXX	⬡ 6					magnetic	330 mm	8 Nm
78406033F15XX	⬡ 6	Ø 15,5					330 mm	8 Nm
78406033M10XX	⬡ 6			Ø 9,9			330 mm	8 Nm
78406033M12XX	⬡ 6			Ø 1,9			330 mm	8 Nm
78408028CAXX	□ 8					magnetic	280 mm	8 Nm
78408028F15XX	□ 8	Ø 15,5					280 mm	8 Nm
78408028M12XX	□ 8			Ø 11,9			280 mm	8 Nm
78408028V13XX	□ 8		Ø 13				280 mm	8 Nm
78408043CAXX	□ 8					magnetic	430 mm	8 Nm
78408043F15XX	□ 8	Ø 15,5					430 mm	8 Nm
78408043M10XX	□ 8			Ø 9,9			430 mm	8 Nm
78408043M12XX	□ 8			Ø 11,9			430 mm	8 Nm
78408043V13XX	□ 8		Ø 13				430 mm	8 Nm
78407033CAXX	⬡ 7					magnetic	330 mm	8 Nm
78407033F15XX	⬡ 7	Ø 15,5					330 mm	8 Nm
78407033M10XX	⬡ 7			Ø 9,9			330 mm	8 Nm
78407033M12XX	⬡ 7			Ø 11,9			330 mm	8 Nm
78407033V13XX	⬡ 7		Ø 13				330 mm	8 Nm
78405033CAXX	□ 6					magnetic	330 mm	8 Nm
78405033F15XX	□ 6	Ø 15,5					330 mm	8 Nm
78405033M10XX	□ 6			Ø 9,9			330 mm	8 Nm
78405033M12XX	□ 6			Ø 11,9			330 mm	8 Nm
78405033V13XX	□ 6		Ø 13				330 mm	8 Nm
784410CAXX	Magnetic adapter for tube Ø 13 mm						Ø 9,9	
784412CAXX	Magnetic adapter for tube Ø 15,5 mm						Ø 11,9	

XX: Complete the product code with the colour code.

STANDARD COLOURS		
16	05	NK
RAL 9016	RAL 7035	Nickel plating

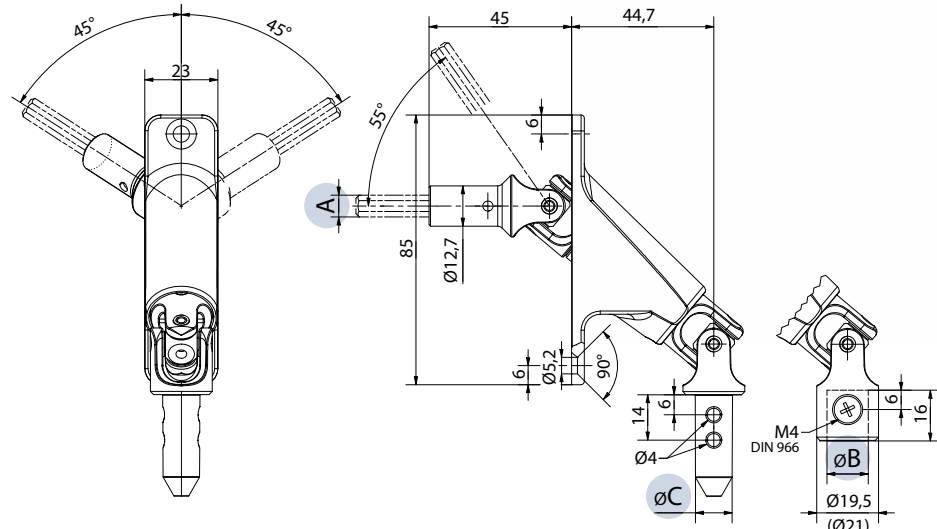
COLOURS ON REQUEST*	
09	04
RAL 8019	RAL 9005

[\*] Colours on request with minimum order quantity.

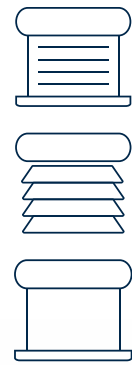
# UNIVERSAL JOINT 90° ZAMAK PLATE

## Side driving

- Plate in powder-coated or nickel-plated Zamak.
- Universal joint in powder-coated or nickel-plated Zamak.
- Drive on ball bearing.
- Rivets in stainless steel.
- Floating on POM bearings.
- Air permeability: VL < 0,05 m<sup>3</sup>/h (50 Pa) - Complies with EN12114.

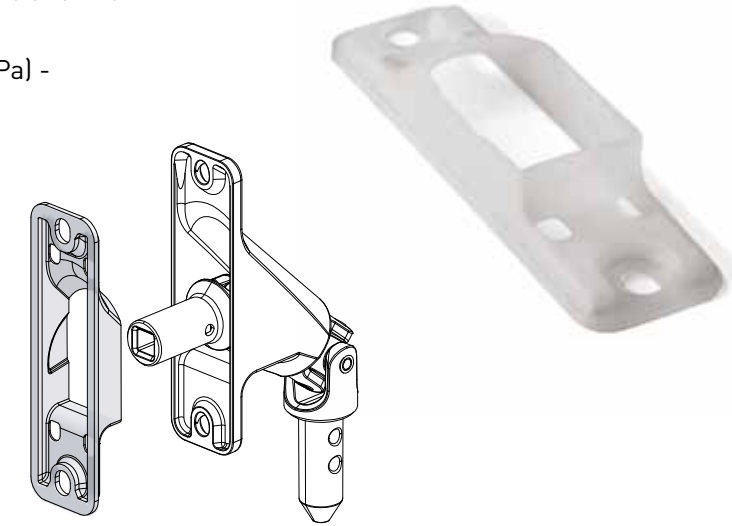


CRANKS  
AND  
UNIVERSAL  
JOINTS



# AIR STOP SILICONE SEAL

- This airtight rubber device applied to the joint reduces the air-flow, the heat loss and the risk of condensation.
- Suitable on the 90° output ref. 7840 and 7481.
- Material: Translucent silicone.
- Air permeability: VL = 0 m<sup>3</sup>/h (50 Pa) - Complies with EN12114



CODE

7848

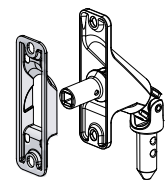
CRANKS  
AND  
UNIVERSAL  
JOINTS



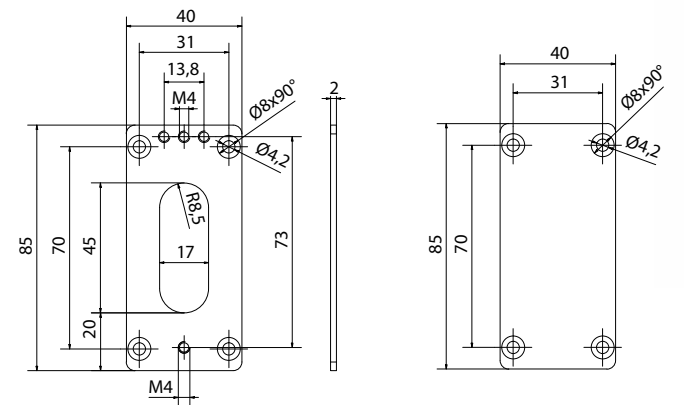
# COVER PLATE

- In nickel-plated or powder-coated steel.

## COMPATIBLE ACCESSORIES



7848  
Air stop silicone seal  
page 89



7800

7810

CODE

7800XX

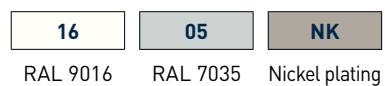
Cover plate for outsized holes in the walls.  
Suitable for outputs 90° with 23x85 mm plate.

7810XX

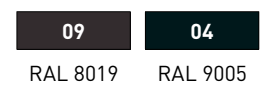
Closing plate for outsized holes in the walls.  
Suitable for closing through holes for outputs 90°.

CODE	A	B	C	MAX TORQUE APPLIED
78416000M12XX	6		Ø 11,9	8 Nm
78415000M12XX	6		Ø 11,9	8 Nm
78417000M12XX	7		Ø 11,9	8 Nm
78417000V13XX	7	Ø 13		8 Nm
78418000M10XX	8		Ø 9,9	8 Nm
78418000V13XX	8	Ø 13		8 Nm

STANDARD COLOURS



COLOURS ON REQUEST\*

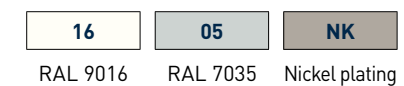


(\*) Colours on request with minimum order quantity.

XX: Complete the product code with the colour code.

XX: Complete the product code with the colour code.

STANDARD COLOURS



COLOURS ON REQUEST\*



(\*) Colours on request with minimum order quantity.

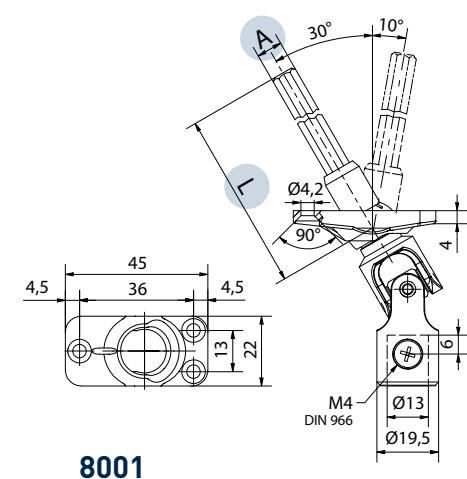


# UNIVERSAL JOINT 30° POM PLATE

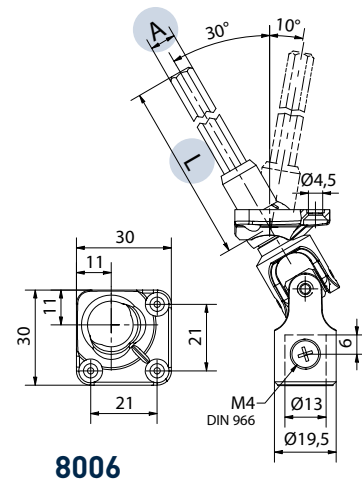
- Plate in POM.
- Universal joint in powder-coated Zamak.
- Driving rod in zinc-plated steel.
- Floating on POM bearings.
- Rivets in stainless steel.



CRANKS  
AND  
UNIVERSAL  
JOINTS



8001



8006

CODE	A	L	MAX TORQUE APPLIED
80017017V13XX	○ 7	170 mm	8 Nm
80017032V13XX	○ 7	320 mm	8 Nm
80067017V13XX	○ 7	170 mm	8 Nm
80067032V13XX	○ 7	320 mm	8 Nm

STANDARD COLOURS



RAL 9016 RAL 7035

COLOURS ON REQUEST\*



RAL 8019 RAL 9005

[\*] Colours on request with minimum order quantity.

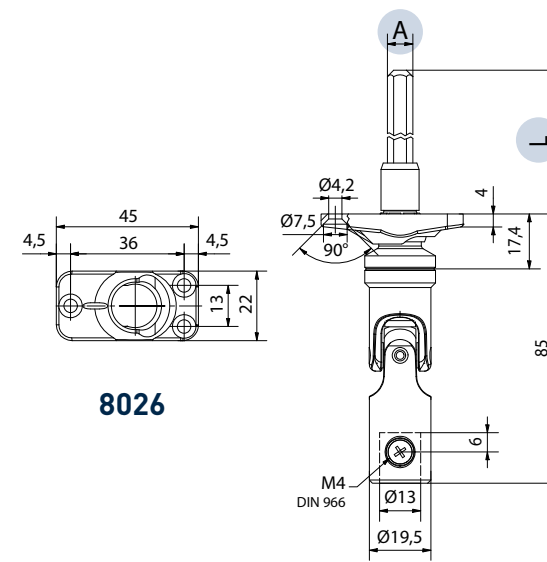
XX: Complete the product code with the colour code.

# UNIVERSAL JOINT WITH MAGNETIC CONNECTING SYSTEM

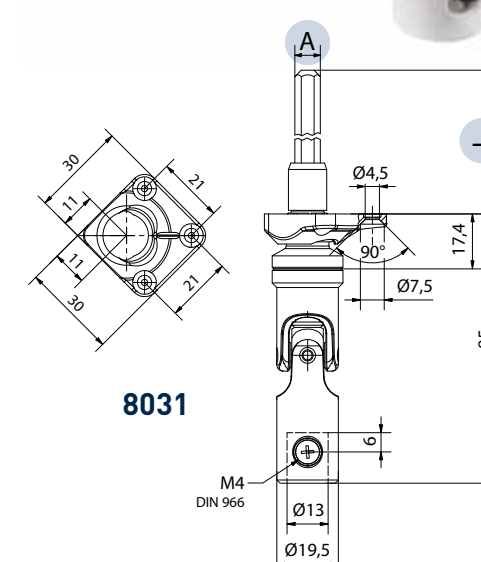
- Plate in POM.
- Universal joint in powder-coated Zamak.
- Driving rod in zinc-plated steel.
- Floating on POM bearings.
- Rivets in stainless steel.



CRANKS  
AND  
UNIVERSAL  
JOINTS



8026



8031

CODE	A	L	MAX TORQUE APPLIED
80267017V13XX	○ 7	170 mm	8 Nm
80267032V13XX	○ 7	320 mm	8 Nm
80317017V13XX	○ 7	170 mm	8 Nm
80317032V13XX	○ 7	320 mm	8 Nm
8027XX	Magnetic crank holder kit		

STANDARD COLOURS



RAL 9016 RAL 7035

COLOURS ON REQUEST\*



RAL 8019 RAL 9005

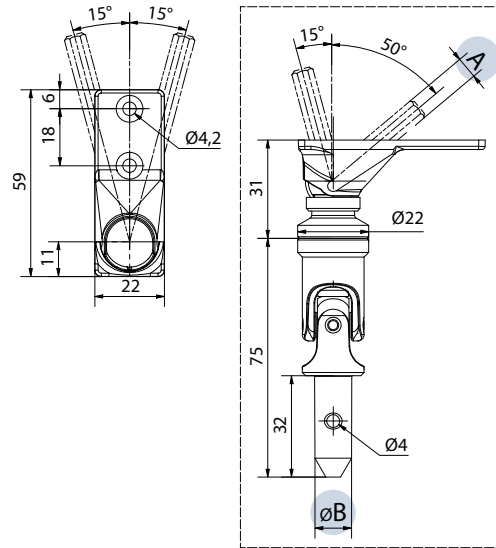
XX: Complete the product code with the colour code.

[\*] Colours on request with minimum order quantity.

# MAGNETIC UNIVERSAL JOINT 50° ZAMAK PLATE

## 2 holes with lateral movement

- Plate in powder-coated or nickel-plated Zamak.
- Universal joint in powder-coated or nickel-plated Zamak.
- Floating on POM bearings.
- Rivets in stainless steel.



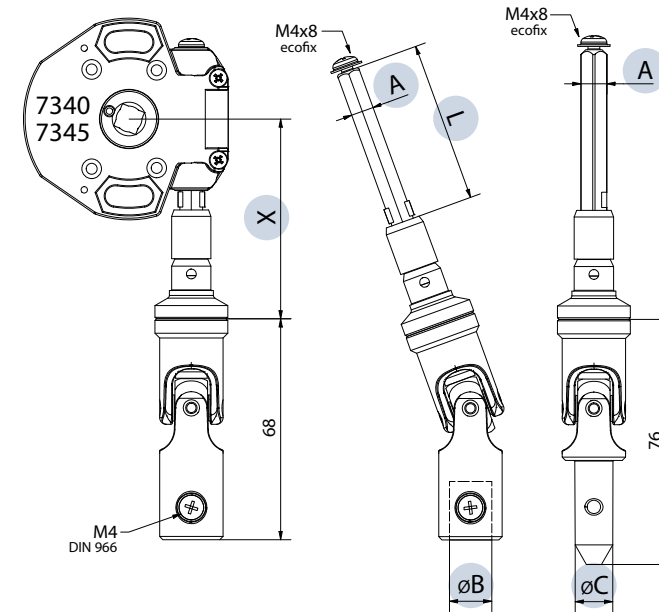
CRANKS  
AND  
UNIVERSAL  
JOINTS



# MAGNETIC UNIVERSAL JOINT

## For worm gear

- Universal joint in powder-coated or nickel-plated Zamak.
- Driving rod in zinc-plated steel.
- Floating on POM bearings.
- Rivets in stainless steel.

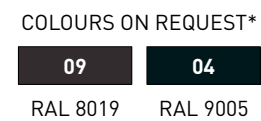
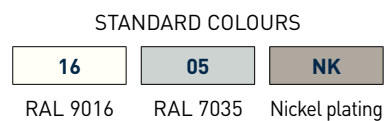


CRANKS  
AND  
UNIVERSAL  
JOINTS



CODE	A	B	MAX TORQUE APPLIED
80365000M12XX	□ 6	Ø 11,9	8 Nm
80366000M12XX	○ 6	Ø 11,9	8 Nm
80367000M12XX	○ 7	Ø 11,9	8 Nm
8027XX	Magnetic crank holder kit		

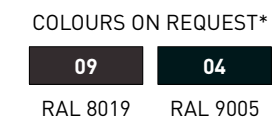
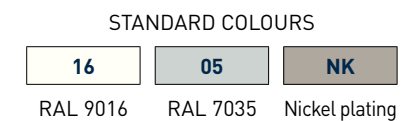
XX: Complete the product code with the colour code.



(\*) Colours on request with minimum order quantity.

CODE	A	B	C	L	X	MAX TORQUE APPLIED
80416005M12XX	○ 6		Ø 11,9	50 mm	61 mm	8 Nm
80415005M12XX	□ 6		Ø 11,9	50 mm	61 mm	8 Nm
80417007V13XX	○ 7	Ø 13		70 mm	81 mm	8 Nm

XX: Complete the product code with the colour code.

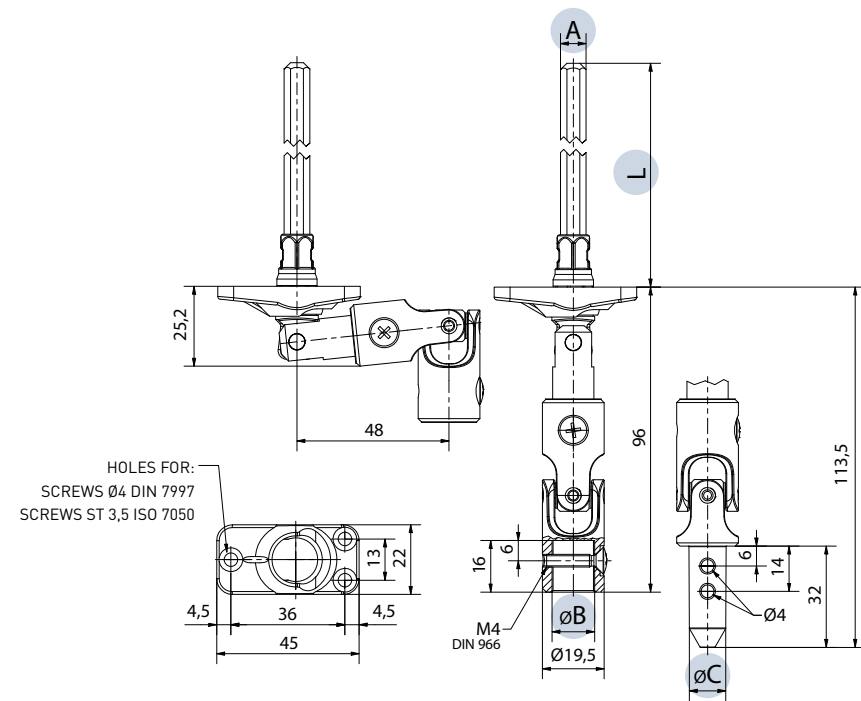


(\*) Colours on request with minimum order quantity.

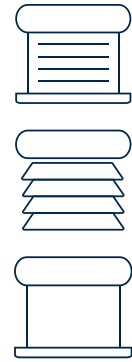
# OFFSET UNIVERSAL JOINT 30°

## 22x45 plate

- Plate in POM.
- Universal joint in powder-coated Zamak.
- Spherical joint axis in aluminium.
- Driving rod in zinc-plated steel.
- Floating on POM bearings.
- Rivets in stainless steel.



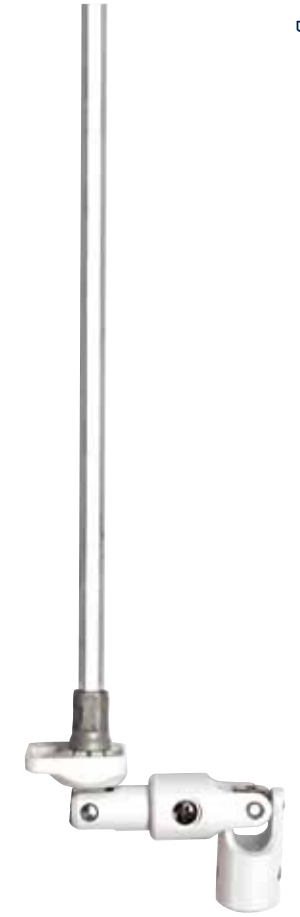
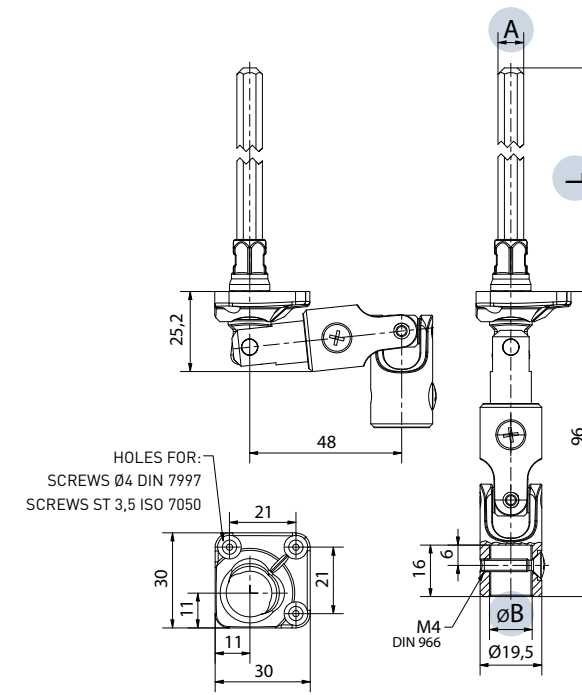
CRANKS AND UNIVERSAL JOINTS



# OFFSET UNIVERSAL JOINT 30°

## 30x30 plate

- Plate in POM.
- Universal joint in powder-coated Zamak.
- Spherical joint axis in aluminium.
- Driving rod in zinc-plated steel.
- Floating on POM bearings.
- Rivets in stainless steel.



CRANKS AND UNIVERSAL JOINTS



CODE	A	B	C	L	MAX TORQUE APPLIED
80665015M12XX	□ 6		Ø 11,9	153 mm	8 Nm
80667012V13XX	○ 7	Ø 13		120 mm	8 Nm
80667017M12XX	○ 7		Ø 11,9	170 mm	8 Nm
80667017V13XX	○ 7	Ø 13		170 mm	8 Nm
80667032V13XX	○ 7	Ø 13		320 mm	8 Nm

STANDARD COLOURS



RAL 9016 RAL 7035

COLOURS ON REQUEST\*



RAL 8019 RAL 9005

(\*) Colours on request with minimum order quantity.

XX: Complete the product code with the colour code.

CODE	A	B	L	MAX TORQUE APPLIED
80717012V13XX	○ 7	Ø 13	120 mm	8 Nm
80717015V13XX	○ 7	Ø 13	150 mm	8 Nm
80717017V13XX	○ 7	Ø 13	170 mm	8 Nm
80717032V13XX	○ 7	Ø 13	320 mm	8 Nm

STANDARD COLOURS



RAL 9016 RAL 7035

COLOURS ON REQUEST\*



RAL 8019 RAL 9005

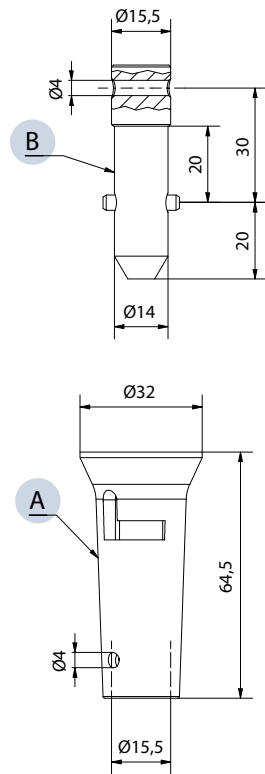
XX: Complete the product code with the colour code.

(\*) Colours on request with minimum order quantity.



# FUNNEL TO BAYONET

- Material: nickel-plated Zamak.
- Fits to tube  $\varnothing$  15,5.
- Fits to bayonet  $\varnothing$  14.



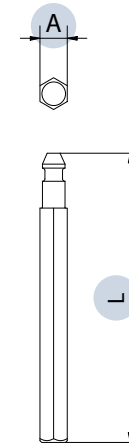
CODE	A	B
0300020	Funnel to bayonet	
0300070	Bayonet	

CRANKS  
AND  
UNIVERSAL  
JOINTS



# FAST-COUPLING DRIVING RODS

- Material: zinc-plated steel.

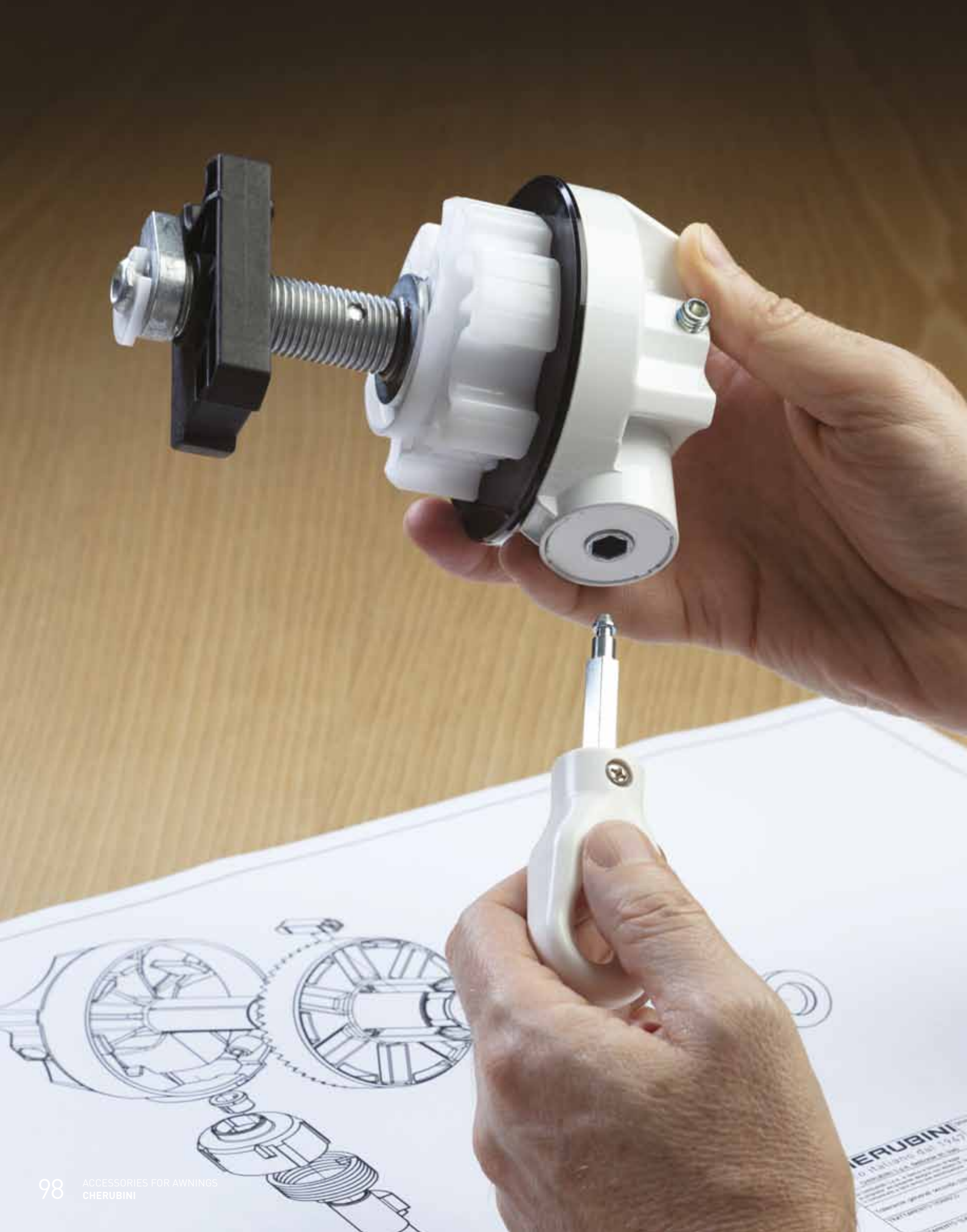


CODE	A	L
0550580	□ 6	161
0550820	□ 6	181
0550790	□ 6	207
0550830	□ 6	231
0550250	□ 6	331
0550500	□ 6	531
0550050	□ 8	281
0550060	□ 8	331
0550070	□ 8	431
0550080	□ 8	531

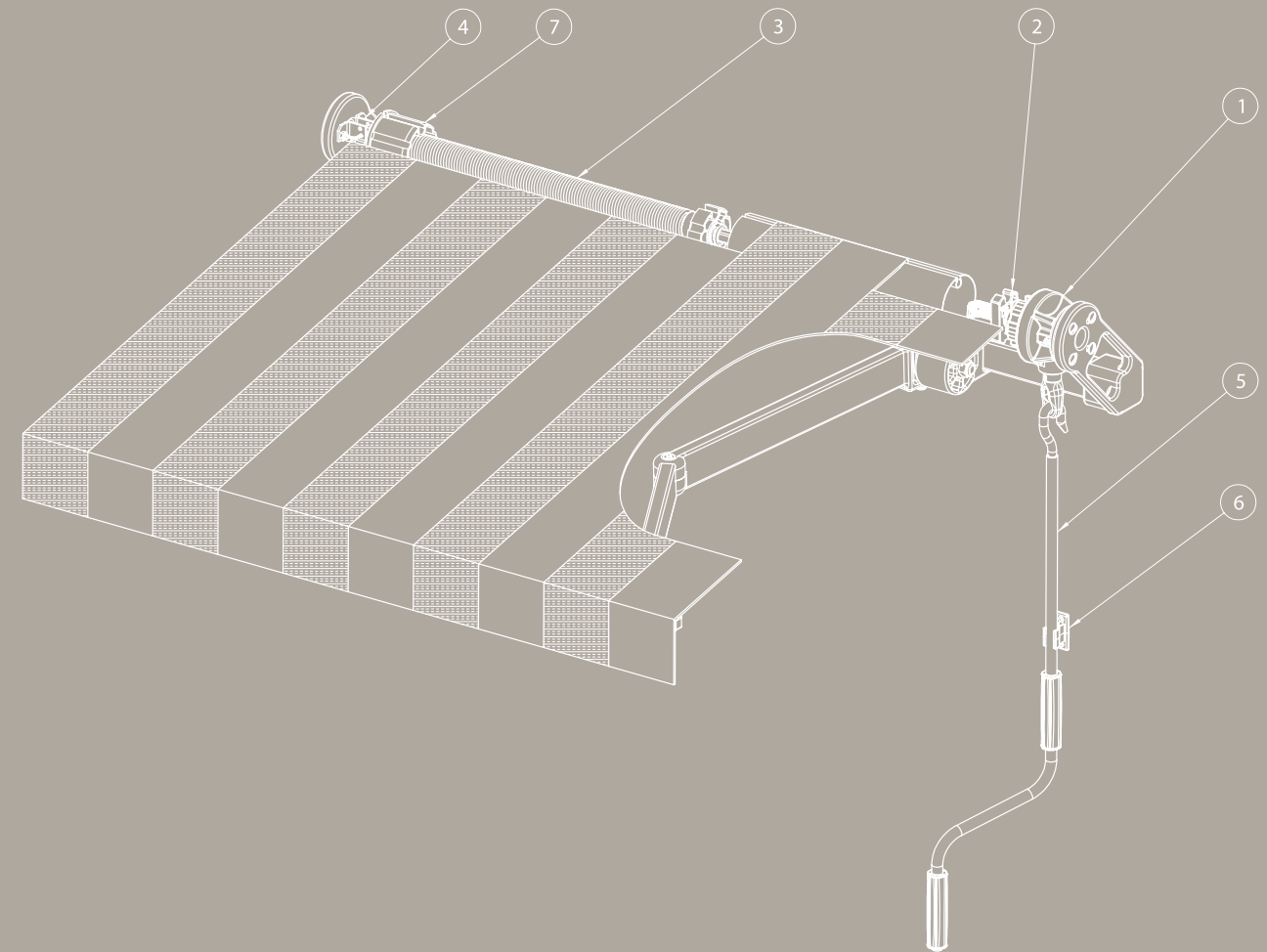
CODE	A	L
0550090	□ 8	631
0550110	◇ 6	331
0550130	◇ 6	531
0550970	◇ 7	134
0550700	◇ 7	168
0550650	◇ 7	181
0550480	◇ 7	231
0550430	◇ 7	331
0550450	◇ 7	531
0550660	◇ 7	601

CRANKS  
AND  
UNIVERSAL  
JOINTS





# Accessories for awnings



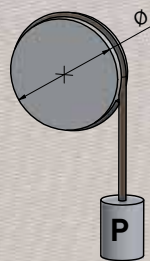
- 1) GEAR
- 2) STOP
- 3) ASSIST SPRING
- 4) PIVOT
- 5) CRANK
- 6) CRANK HOLDER
- 7) ADAPTER FOR TUBE



# Guide to calculating output torque and applicable weight FOR SCREENS AND AWNINGS

P = Awnings weight in kg  
 Ø = Tube diameter in mm  
 Cu = Output torque in Nm  
 200 = coefficient per unit of measurement

$$Cu = \frac{P \cdot \varnothing}{200} \quad P = \frac{Cu \cdot 200}{\varnothing}$$



calculation examples  
 Worm gear ratio 7:1, crown in brass: cod. 9021\_P08CHXX

Example 1    Ø = 70 mm    P =  $\frac{7 \cdot 200}{70} = 20$  kg  
                   Cu = 7 Nm

Example 2    Ø = 70 mm    Cu =  $\frac{15 \cdot 70}{200} = 5,25$  Nm  
                   P = 15 kg

Worm gear ratio 11:1: cod.90015000

Example 1    Ø = 40 mm    P =  $\frac{1,5 \cdot 200}{40} = 7,5$  kg  
                   Cu = 1,5 Nm

Example 2    Ø = 40 mm    Cu =  $\frac{7 \cdot 40}{200} = 1,4$  Nm  
                   P = 7 kg

## Accessories for awnings

### SELECTION TABLES



PRODUCT FAMILY	DESCRIPTION	REDUCTION RATIO	EFFICIENCY	MAX. OUTPUT TORQUE	OPERATING TORQUE*	PAGE
7340	Worm gear 3,5:1 (standard)	3,5 : 1	0,32	2,9 Nm	15,8 N	P. 105
7343	Worm gear 3,5:1 (soft-brake)	3,5 : 1	0,32	1,8 Nm	9,7 N	P. 105
7345	Worm gear 5,5:1 (standard)	5,5 : 1	0,3	5,0 Nm	18,2 N	P. 105
7347	Worm gear 5,5:1 (soft-brake)	5,5 : 1	0,3	3,6 Nm	13,3 N	P. 105
7350	Worm gear 8:1	8 : 1	0,34	12 Nm	27,3 N	P. 110
9001	Worm gear 3,3:1	3,3 : 1	0,3	1,5 Nm	9,1 N	P. 107
9008	Bevel gear 5:1	5 : 1	0,59	8,3 Nm	17,0 N	P. 122
9021	Worm gear 7:1 (crown in brass)	7 : 1	0,3	7,4 Nm	21,2 N	P. 112
9025	Worm gear 11:1 (crown in brass)	11 : 1	0,3	11,6 Nm	21,2 N	P. 112
9047	Worm gear 7:1 (crown in Zamak)	7 : 1	0,3	7,4 Nm	21,2 N	P. 112
9051	Worm gear 11:1 (crown in Zamak)	11 : 1	0,3	11,6 Nm	21,2 N	P. 112
9028	Worm gear 13:1 (crown in brass)	13 : 1	0,28	12,7 Nm	21,2 N	P. 115
9030	Worm gear 17:1 (crown in brass)	17 : 1	0,28	14,3 Nm	18,2 N	P. 115
9035	Bevel gear 3,5:1	3,5 : 1	0,6	7,6 Nm	21,8 N	P. 116
9036	Bevel gear 3:1	3 : 1	0,6	8,0 Nm	26,9 N	P. 117
9045	Worm gear 4,7:1	4,7 : 1	0,25	3,5 Nm	18,2 N	P. 109
9057	Worm gear 7:1	7 : 1	0,3	7,4 Nm	21,2 N	P. 114
9060	Worm gear 10:1	10 : 1	0,3	10,5 Nm	21,2 N	P. 114
9080A	Bevel gear 4,6:1 with clutch	4,6 : 1	0,6	14,0 Nm	17,6 N	P. 118
9080N	Bevel gear 4,6:1 without clutch	4,6 : 1	0,6	14,0 Nm	17,6 N	P. 120

\* Crank lever arm length: 165 mm

PRODUCT FAMILY	DESCRIPTION	TUBE DIAMETER	MATERIAL	PAGE
97.. 98..	Internal plug for tubes	Ø 60, Ø 70, Ø 78	POM and steel	P. 125



# Accessories for awnings

## SELECTION TABLES



PRODUCT FAMILY	DESCRIPTION	MATERIAL	PAGE
Accessories	Accessories for 7340-7343-7345-7347 gears	Various	P. 106
Accessories	Accessories for 9001-9001.10 gears	Various	P. 108
90860C	Eyelet for 9080A-9080N gears	Nylon and Steel	P. 119
9087FC	Stop kit for 9080A gears	Plastic and Zamak	P. 119
9088PMC	Assist spring kit for 9080N gears	Steel	P. 121
9100	Operating crank	Powder-coated steel	P. 123
9506	Pivot	Zinc-plated or stainless steel	P. 124
9300-9302	Assist spring	Nylon and Steel	P. 124
1130260 and N03013	Bracket and split pin for assist spring	Steel	P. 124

# Gear for awnings

## SELECTION GUIDE



### SELECTION OF THE WORM GEAR WITHOUT STOP, FOR AWNINGS WITH SPRING ARMS

		Width	2,40 m	3,60 m	4,80 m	6,00 m	7,20 m	8,40 m	9,60 m	10,80 m	12,00 m
Tube	Projection	2 arms	2 arms	2 arms	2 arms	3 arms	4 arms	4 arms	4 arms	4 arms	4 arms
Ogive 70 Ogive 78 Ogive 85	1,50 m	7 : 1	7 : 1	7 : 1	10/11 : 1	10/11 : 1	13 : 1	17 : 1	17 : 1	17 : 1	
	2,00 m										
	2,50 m	10/11 : 1	7 : 1	7 : 1	10/11 : 1	13 : 1	17 : 1	17 : 1	17 : 1		
	3,00 m										
	3,25 m		10/11 : 1	10/11 : 1	13 : 1	13 : 1	17 : 1	17 : 1	17 : 1		
	3,50 m										
	3,75 m		13 : 1	13 : 1	13 : 1	13 : 1	17 : 1	17 : 1	17 : 1		
	4,00 m										

Approximate values. May vary according to the type of installation. For further information, please contact our Technical Support department.

### SELECTION OF THE BEVEL GEAR FOR AWNINGS WITH SPRING ARMS

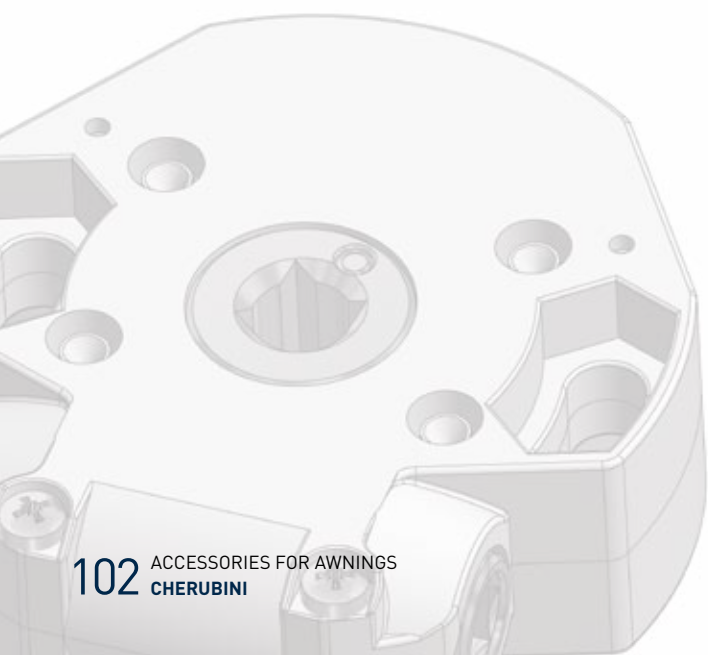
		Width	2,40 m	3,60 m	4,80 m	6,00 m	7,20 m	8,40 m	9,60 m	10,80 m	12,00 m
Tube	Projection	2 arms	2 arms	2 arms	2 arms	3 arms	4 arms	4 arms	4 arms	4 arms	4 arms
Ogive 70 Ogive 78 Ogive 85	1,50 m	CC 3,5 : 1	CC 3,5 : 1	CC 5 : 1	BG 5 : 1 + Spring	BG 5 : 1 + Spring					
	2,00 m										
	2,50 m	CC 5 : 1	CC 5 : 1	CC 5 : 1	BG 5 : 1 + Spring						
	3,00 m										
	3,25 m		BG 5 : 1 + Spring								
	3,50 m										
	3,75 m		BG 5 : 1 + Spring								
	4,00 m										

Approximate values. May vary according to the type of installation. For further information, please contact our Technical Support department.

### SELECTION OF THE BEVEL GEAR 9080 FOR AWNINGS WITH SPRING ARMS; CLUTCH DOWN, LIMIT SWITCH ADJUSTABLE FROM THE OUTSIDE

		Width	2,40 m	3,60 m	4,80 m	6,00 m	7,20 m	8,40 m	9,60 m	10,80 m	12,00 m
Tube	Projection	2 arms	2 arms	2 arms	2 arms	3 arms	4 arms	4 arms	4 arms	4 arms	4 arms
Ogive 70 Ogive 78 Ogive 85	1,50 m	CC 4,6 : 1	CC 4,6 : 1	CC 4,6 : 1	CC 4,6 : 1	BG 4,6 : 1 + Spring					
	2,00 m										
	2,50 m	CC 4,6 : 1	CC 4,6 : 1	CC 4,6 : 1	CC 4,6 : 1	BG 4,6 : 1 + Spring					
	3,00 m										
	3,25 m		BG 4,6 : 1 + Spring			BG 4,6 : 1 + Spring					
	3,50 m										
	3,75 m		BG 4,6 : 1 + Spring								
	4,00 m										

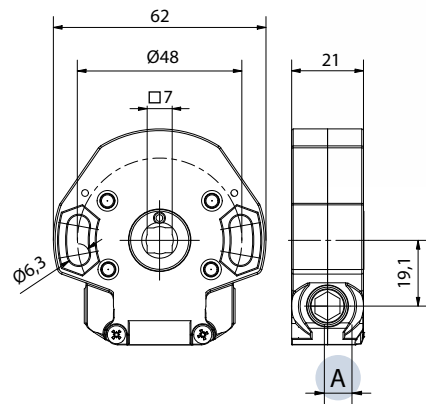
Approximate values. May vary according to the type of installation. For further information, please contact our Technical Support department.



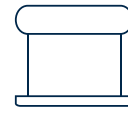
# WORM GEAR

## Ratio 3,5:1-5,5:1

- Case in Zamak.
- Screw worm in aluminium.
- Crown in brass.
- Self-brake, through bearings.
- With or without stop, adjustable up to 19 cycles.
- One piece sintered steel stop.



## APPLICATION



## Worm gear ratio 3,5:1

CODE	INPUT A	STOP	FINISH/COLOUR	EFFICIENCY	MAX. OUTPUT TORQUE
73405003ACH00	□ 6	19 cycles	Metallic	0,32	2,9 Nm
73406003ACH00	◇ 6	19 cycles	Metallic	0,32	2,9 Nm
73407003ACH00	◇ 7	19 cycles	Metallic	0,32	2,9 Nm
73405003NCH00	□ 6		Metallic	0,32	2,9 Nm
73406003NCH00	◇ 6		Metallic	0,32	2,9 Nm
73407003NCH00	◇ 7		Metallic	0,32	2,9 Nm

## “Soft-brake” worm gear ratio 3,5:1

CODE	INPUT A	STOP	FINISH/COLOUR	EFFICIENCY	MAX. OUTPUT TORQUE
73435003ACH00	□ 6	19 cycles	Metallic	0,32	1,8 Nm
73437003ACH00	◇ 7	19 cycles	Metallic	0,32	1,8 Nm
73435003NCH00	□ 6		Metallic	0,32	1,8 Nm
73437003NCH00	◇ 7		Metallic	0,32	1,8 Nm

## Worm gear ratio 5,5:1

CODE	INPUT A	STOP	FINISH/COLOUR	EFFICIENCY	MAX. OUTPUT TORQUE
73455003ACH00	□ 6	19 cycles	Metallic	0,3	5 Nm
73456003ACH00	◇ 6	19 cycles	Metallic	0,3	5 Nm
73457003ACH00	◇ 7	19 cycles	Metallic	0,3	5 Nm
73455003NCH00	□ 6		Metallic	0,3	5 Nm
73456003NCH00	◇ 6		Metallic	0,3	5 Nm
73457003NCH00	◇ 7		Metallic	0,3	5 Nm

## “Soft-brake” worm gear ratio 5,5:1

CODE	INPUT A	STOP	FINISH/COLOUR	EFFICIENCY	MAX. OUTPUT TORQUE
73475003ACH00	□ 6	19 cycles	Metallic	0,3	3,6 Nm
73477003ACH00	◇ 7	19 cycles	Metallic	0,3	3,6 Nm
73475003NCH00	□ 6		Metallic	0,3	3,6 Nm
73477003NCH00	◇ 7		Metallic	0,3	3,6 Nm

## COMPATIBLE ACCESSORIES



6010  
Eyelet  
page 106

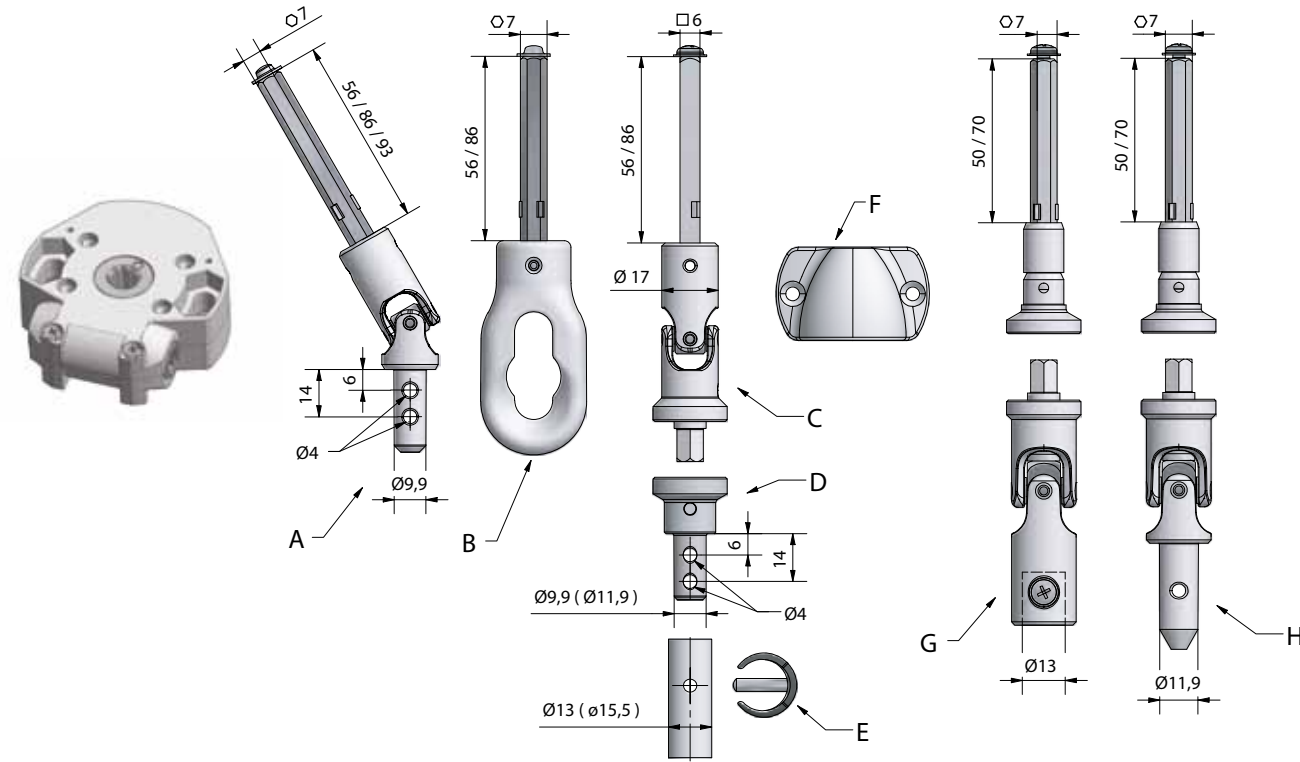
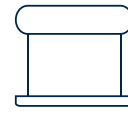


8041  
Magnetic joint  
page 93

# ACCESSORIES

For worm gear ratio 3,5:1 - 5,5:1

APPLICATION



CODE			FINISH/COLOUR
79067005CHNK	A	Joint in Zamak - nickel-plated - rod $\varnothing$ 7x56 mm	Nickel-plated
79067008CHNK	A	Joint in Zamak - nickel-plated - rod $\varnothing$ 7x86 mm	Nickel-plated
7906 7009CHNK	A	Joint in Zamak - nickel-plated - rod $\varnothing$ 7x93 mm	Nickel-plated
60107005CHXX	B	Eyelet in Nylon - rod $\varnothing$ 7x56 mm	
60107008CHXX	B	Eyelet in Nylon - rod $\varnothing$ 7x86 mm	
79185005CACHNK	C	Magnetic joint - hex connector - rod $\square$ 6x56 mm	Nickel-plated
79185008CACHNK	C	Magnetic joint - hex connector - rod $\square$ 6x86 mm	Nickel-plated
784410CAXX	D	Magnetic tube adapter connector M $\varnothing$ 9,9 mm - for tube $\varnothing$ 13 mm	
784412CAXX	D	Magnetic tube adapter connector M $\varnothing$ 11,9 mm - for tube $\varnothing$ 15,5 mm	
7595XX	E	Fixing clip for tube $\varnothing$ 13 mm	
7596XX	E	Fixing clip for tube $\varnothing$ 15,5 mm	
8027XX	F	Magnetic crank holder	
80417005V13XX	G	Magnetic joint - connector F $\varnothing$ 13 mm - rod $\varnothing$ 7x50 mm	
80417007V13XX	G	Magnetic joint - connector F $\varnothing$ 13 mm - rod $\varnothing$ 7x70 mm	
80417005M12XX	H	Magnetic joint - connector M $\varnothing$ 11,9 mm - rod $\varnothing$ 7x50 mm	
80417007M12XX	H	Magnetic joint - connector M $\varnothing$ 11,9 mm - rod $\varnothing$ 7x70 mm	

STANDARD COLOURS      COLOURS ON REQUEST\*

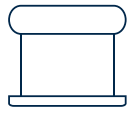


XX: Complete the product code with the colour code.

[\*] Colours on request with minimum order quantity.

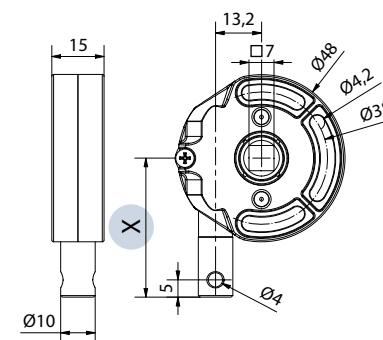
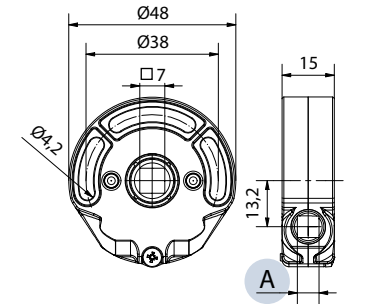
# WORM GEAR

APPLICATION



Ratio 3,3:1

- Case in Zamak.
- Screw worm in brass.
- Crown in Zamak.
- Self-brake, through bearings.
- Without stop.



9001



900110



COMPATIBLE ACCESSORIES PAGE 108

CODE	INPUT A	FINISH/COLOUR	EFFICIENCY	MAX. OUTPUT TORQUE
90015000	$\square$ 6	Metallic	0,3	1,5 Nm
90016000	$\varnothing$ 6	Metallic	0,3	1,5 Nm

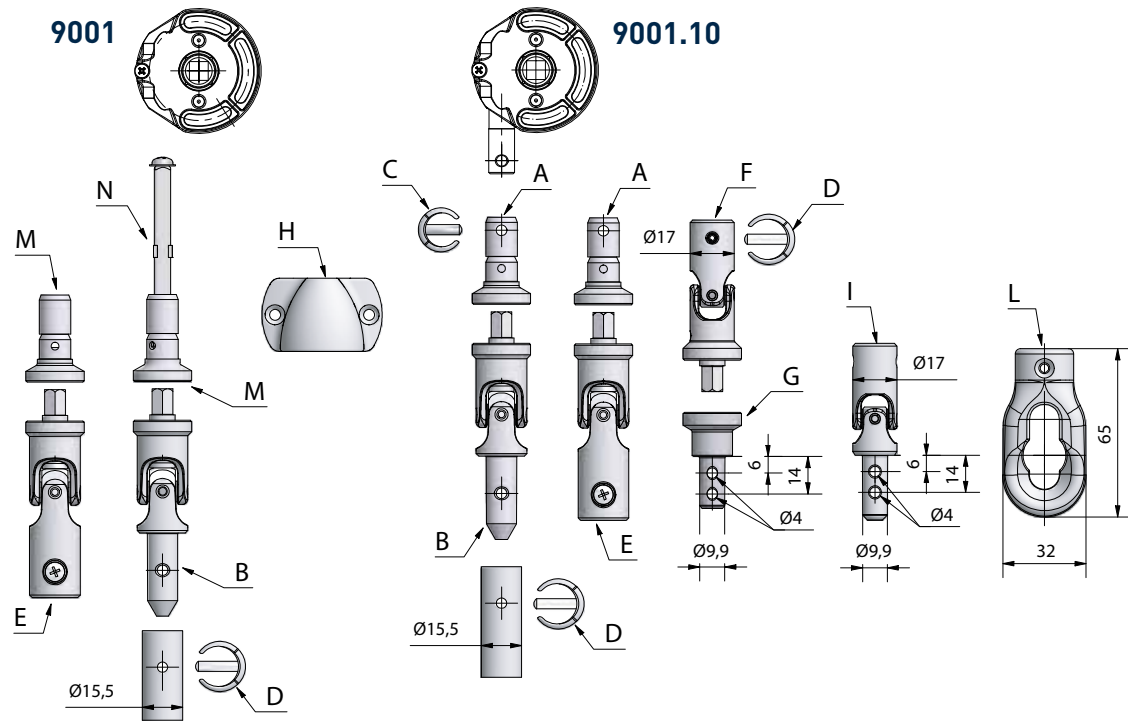
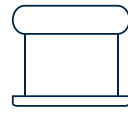
  

CODE	X	FINISH/COLOUR	EFFICIENCY	MAX. OUTPUT TORQUE
90011040	40 mm	Metallic	0,3	1,5 Nm
90011045	45 mm	Metallic	0,3	1,5 Nm
90011050	50 mm	Metallic	0,3	1,5 Nm
90011055	55 mm	Metallic	0,3	1,5 Nm
90011065	65 mm	Metallic	0,3	1,5 Nm

# ACCESSORIES

For worm gear ratio 3,3:1

APPLICATION



CODE		
149810XX	A	Magnetic adapter connector F Ø 10 mm
8056M12XX	B	Magnetic joint - connector M Ø 11,9 mm
7595XX	C	Fixing clip for tube Ø 13 mm
7596XX	D	Fixing clip for tube Ø 15,5 mm
8056V13XX	E	Magnetic joint - connector F Ø 13 mm
7917CACHXX	F	Magnetic universal joint - connector F Ø 10 mm
784410CAXX	G	Magnetic tube adapter connector M Ø 9,9 mm - for tube Ø 13 mm
8027XX	H	Magnetic crank holder
79022NCHXX	I	Universal joint - connector F Ø 10 mm with hole M Ø 9,9 mm
1120605	L	Eyelet in Nylon RAL 7035 - hole Ø 10 mm
149850XX	M	Magnetic adapter connector □ 6 mm
60185005	N	Rod □ 6x74 mm - screw M4

XX: Complete the product code with the colour code.

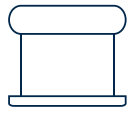
STANDARD COLOURS			COLOURS ON REQUEST*	
16	05	NK	09	
RAL 9016	RAL 7035	Nickel plating	RAL 8019	

(\*) Colours on request with minimum order quantity.

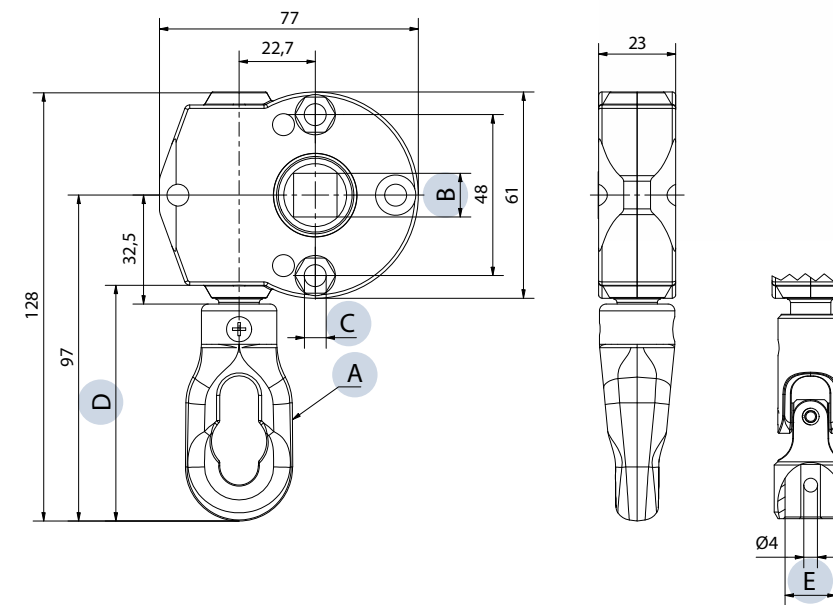
# WORM GEAR

Ratio 4,7:1

APPLICATION



- Case in powder-coated Zamak.
- Screw worm in aluminium.
- Crown in Zamak.
- Eyelet in Nylon.
- Without stop.



CODE	A INPUT	B	C	D	E	EFFICIENCY	MAX. OUTPUT TORQUE
9045_S07CHXX	Eyelet	□ 13	thr. hole Ø 6,5	70 mm		0,25	3,5 Nm
9045_S07CHXXA	Eyelet	□ 13	M6	70 mm		0,25	3,5 Nm
9045_C15CHXX	Universal joint	□ 13	thr. hole Ø 6,5		fem15,5	0,25	3,5 Nm

XX: Complete the product code with the colour code.

STANDARD COLOURS			COLOURS ON REQUEST*			
02	03	04	16	07	05	
RAL 9010	RAL 1013	RAL 9005	RAL 9016	RAL 8017	RAL 7035	

(\*) Colours on request with minimum order quantity.



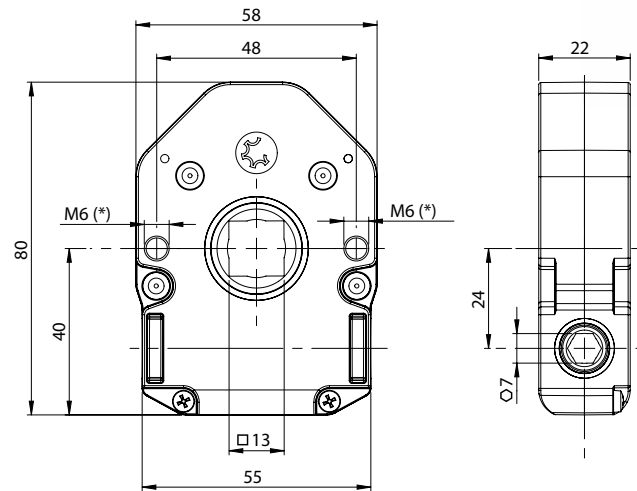
# WORM GEAR 8:1

## Ratio 8:1 with or without stop

- Case in Zamak.
- Crown in Steel
- Screw worm in brake.
- With or without stop, adjustable up to 19 cycles.
- One piece sintered steel stop.
- Multiple-friction brake with steel washers and springs.



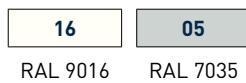
### APPLICATION



(\*) M6 threaded holes with through thread

CODE	INPUT	OUTPUT A	STOP	FINISH/ COLOUR	EFFICIENCY	MAX. OUTPUT TORQUE
73507011ACH00	∅ 7	□ 13	19 cycles	Metallic finish	0,34	12 Nm
73507011NCH00	∅ 7	□ 13		Metallic finish	0,34	12 Nm
73507011NCHXX	∅ 7	□ 13		Powder-coated	0,34	12 Nm

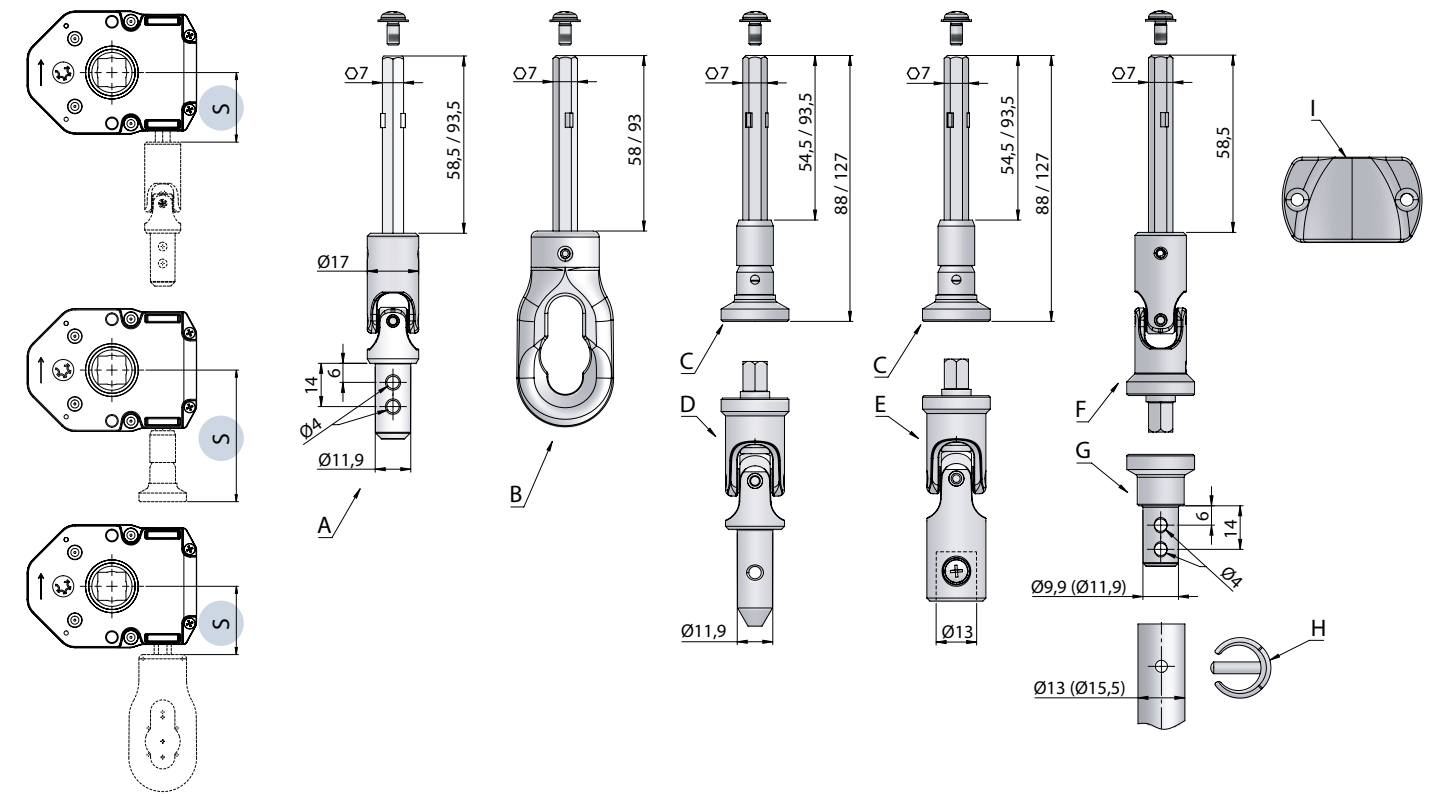
#### STANDARD COLOURS



XX: Complete the product code with the colour code.

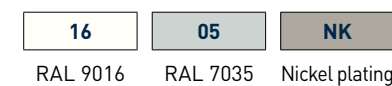
# ACCESSORIES

## For worm gear ratio 8:1



CODE		S
60237003M12XX	A Joint in Zamak - nickel-plated ∅ 7 mm and hole M ∅ 12 mm	32 mm
60237007M12XX	A Joint in Zamak - nickel-plated ∅ 7 mm and hole M ∅ 12 mm	67 mm
60227003CHXX	B Eyelet ∅ 7 mm	32 mm
60227007CHXX	B Eyelet ∅ 7 mm	67 mm
60217006CACHXX	C Extension ∅ 7 mm with female magnetic connection	62 mm
60217010CACHXX	C Extension ∅ 7 mm with female magnetic connection	101 mm
8056M12XX	D Magnetic joint M ∅ 11,9 mm	
8056V13XX	E Magnetic joint ∅ 13 mm female connection	
60247003CACHXX	F Magnetic joint - hex connector - ∅ 7 mm	32 mm
784410CAXX	G Magnetic tube adapter connector M ∅ 13 mm - for tube ∅ 9,9 mm	
784412CAXX	G Magnetic tube adapter connector M ∅ 15,5 mm - for tube ∅ 11,9 mm	
7595XX	H Fixing clip for tube ∅ 13 mm	
7596XX	H Fixing clip for tube ∅ 15,5 mm	
8027XX	I Magnetic crank holder	

#### STANDARD COLOURS



#### COLOURS ON REQUEST\*



XX: Complete the product code with the colour code.

(\*) Colours on request with minimum order quantity.

# WORM GEAR

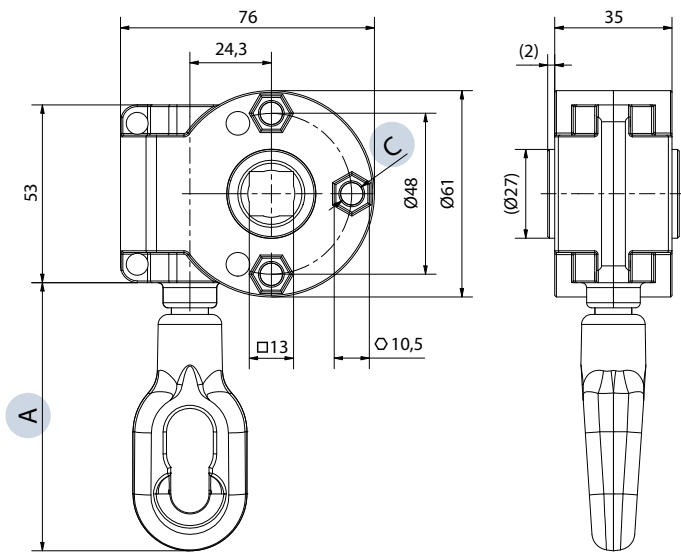
## Ratio 7:1-11:1

- Case in powder-coated Zamak.
- Screw worm in Duraluminium.
- Eyelet in Nylon.
- Floating on POM bearings.
- Without stop.



EYELET 120

EYELET 80



## APPLICATION



### Worm gear ratio 7:1 crown in brass

CODE	C	A	CASING COLLAR	EFFICIENCY	MAX. OUTPUT TORQUE
9021_P08CHXX	Ø 6,7	80 mm	NO	0,3	7,4 Nm
9021BP08CHXX	Ø 6,7	80 mm	Ø 27	0,3	7,4 Nm
9021_P12CHXX	Ø 6,7	120 mm	NO	0,3	7,4 Nm
9021BP12CHXX	Ø 6,7	120 mm	Ø 27	0,3	7,4 Nm

### Worm gear ratio 11:1 crown in brass

CODE	C	A	CASING COLLAR	EFFICIENCY	MAX. OUTPUT TORQUE
9025_P08CHXX	Ø 6,7	80 mm	NO	0,3	11,6 Nm
9025BP08CHXX	Ø 6,7	80 mm	Ø 27	0,3	11,6 Nm
9025_P12CHXX	Ø 6,7	120 mm	NO	0,3	11,6 Nm
9025BP12CHXX	Ø 6,7	120 mm	Ø 27	0,3	11,6 Nm

### Worm gear ratio 7:1 crown in Zamak

CODE	C	A	CASING COLLAR	EFFICIENCY	MAX. OUTPUT TORQUE
9047_P08CH X	Ø 6,7	80 mm	NO	0,3	7,4 Nm
9047BP08CHXX	Ø 6,7	80 mm	Ø 27	0,3	7,4 Nm
9047_P12CHXX	Ø 6,7	120 mm	NO	0,3	7,4 Nm
9047BP12CHXX	Ø 6,7	120 mm	Ø 27	0,3	7,4 Nm
9047_P08CHXXF	M6	80 mm	NO	0,3	7,4 Nm
9047BP08CHXXF	M6	80 mm	Ø 27	0,3	7,4 Nm
9047_P12CHXXF	M6	120 mm	NO	0,3	7,4 Nm
9047BP12CHXXF	M6	120 mm	Ø 27	0,3	7,4 Nm

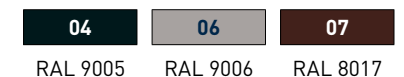
### Worm gear ratio 11:1 crown in Zamak

CODE	C	A	CASING COLLAR	EFFICIENCY	MAX. OUTPUT TORQUE
9051_P08CHXX	Ø 6,7	80 mm	NO	0,3	11,6 Nm
9051BP08CHXX	Ø 6,7	80 mm	Ø 27	0,3	11,6 Nm
9051_P12CHXX	Ø 6,7	120 mm	NO	0,3	11,6 Nm
9051BP12CHXX	Ø 6,7	120 mm	Ø 27	0,3	11,6 Nm
9051_P08CHXXF	M6	80 mm	NO	0,3	11,6 Nm
9051BP08CHXXF	M6	80 mm	Ø 27	0,3	11,6 Nm
9051_P12CHXXF	M6	120 mm	NO	0,3	11,6 Nm
9051BP12CHXXF	M6	120 mm	Ø 27	0,3	11,6 Nm

#### STANDARD COLOURS



#### COLOURS ON REQUEST\*

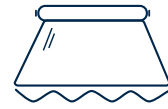


XX: Complete the product code with the colour code.

(\*) Colours on request with minimum order quantity.

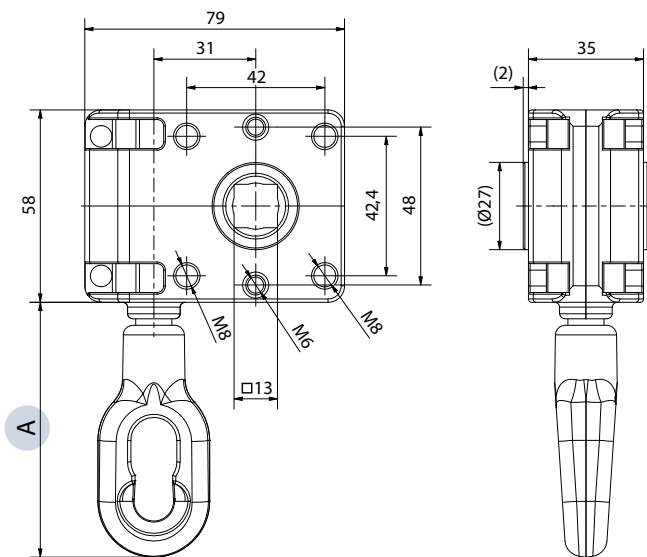
# WORM GEAR

APPLICATION



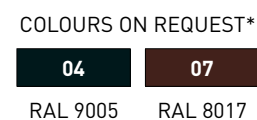
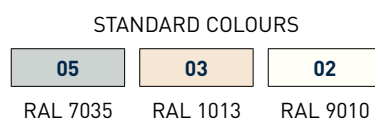
## Ratio 7:1-10:1

- Case in powder-coated Zamak.
- Screw worm in Duraluminium.
- Crown in Zamak.
- Eyelet in Nylon.
- Floating on POM bearings.
- Without stop.



CODE	REDUCTION RATIO	A	CASING COLLAR	EFFICIENCY	MAX. OUTPUT TORQUE
9057_P08CHXX	7:1	80 mm	NO	0,3	7,4 Nm
9057BP08CHXX	7:1	80 mm	Ø 27	0,3	7,4 Nm
9057_P12CHXX	7:1	120 mm	NO	0,3	7,4 Nm
9057BP12CHXX	7:1	120 mm	Ø 27	0,3	7,4 Nm
9060_P08CHXX	10:1	80 mm	NO	0,3	10,5 Nm
9060BP08CHXX	10:1	80 mm	Ø 27	0,3	10,5 Nm
9060_P12CHXX	10:1	120 mm	NO	0,3	10,5 Nm
9060BP12CHXX	10:1	120 mm	Ø 27	0,3	10,5 Nm

XX: Complete the product code with the colour code.



(\*) Colours on request with minimum order quantity.

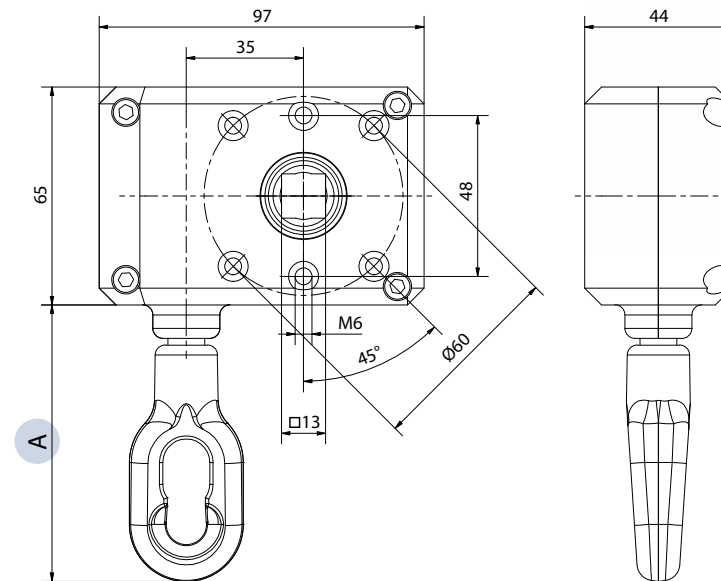
# WORM GEAR

APPLICATION



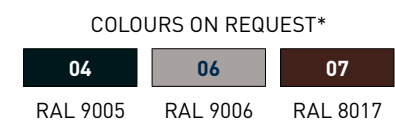
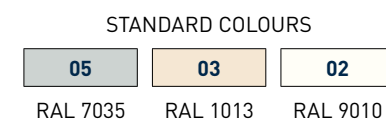
## Ratio 13:1-17:1

- Case in powder-coated Zamak.
- Screw worm in Duraluminium.
- Crown in brass.
- Eyelet in Nylon.
- Floating on POM bearings.
- Without stop.



CODE	REDUCTION RATIO	A	CASING COLLAR	EFFICIENCY	MAX. OUTPUT TORQUE
9028_P08CHXX	13:1	80 mm	NO	0,28	12,7 Nm
9028_P12CHXX	13:1	120 mm	NO	0,28	12,7 Nm
9030_P08CHXX	17:1	80 mm	NO	0,28	14,3 Nm
9030_P12CHXX	17:1	120 mm	NO	0,28	14,3 Nm

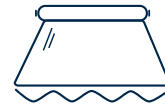
XX: Complete the product code with the colour code.



(\*) Colours on request with minimum order quantity.

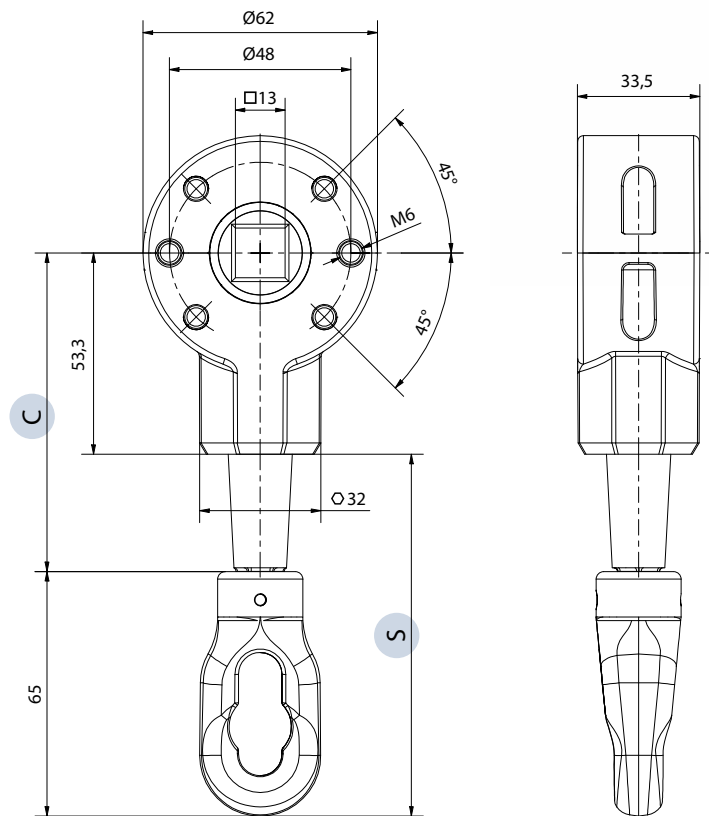
# BEVEL GEAR

APPLICATION



## Ratio 3,5:1

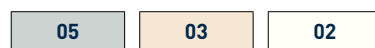
- Case in powder-coated Zamak.
- Gleason bevel gears in Zamak.
- Steel spring brake.
- Eyelet in Nylon.
- Floating on Nylon bearings.
- Without stop.



CODE	C	S	EFFICIENCY	MAX. OUTPUT TORQUE
9035_S07CHXXA	55 mm	70 mm	0,6	7,6 Nm
9035_S10CHXXA	83 mm	100 mm	0,6	7,6 Nm

9014 Fitting flange

STANDARD COLOURS



RAL 7035 RAL 1013 RAL 9010

COLOURS ON REQUEST\*

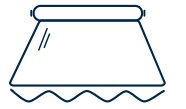


RAL 9005 RAL 8017

(\* ) Colours on request with minimum order quantity.

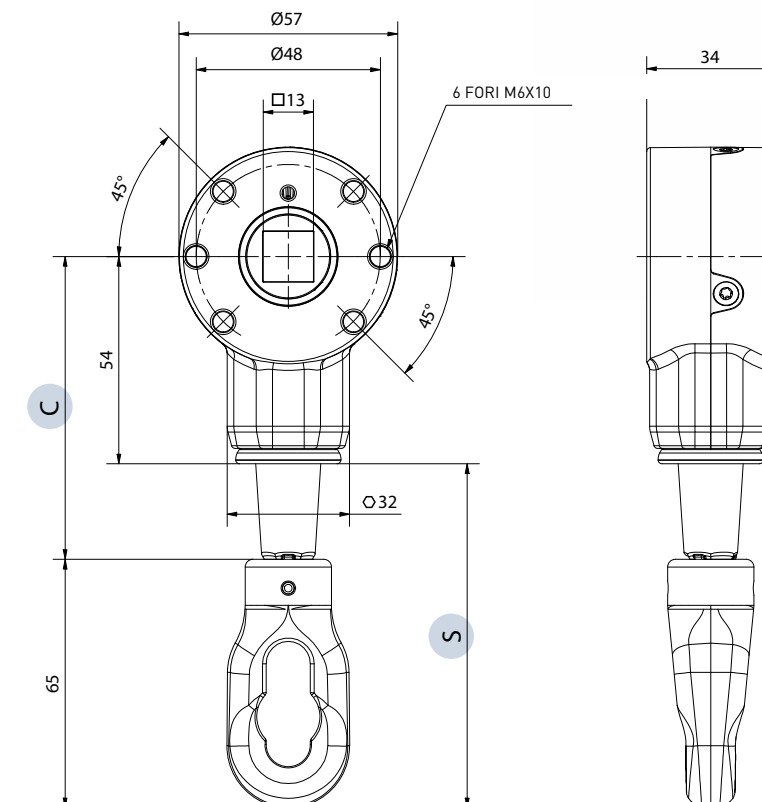
# BEVEL GEAR

APPLICATION



## Ratio 3:1

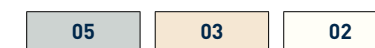
- Case in powder-coated Zamak.
- Straight tooth bevel gears in Zamak.
- Steel spring brake.
- Eyelet in Nylon.
- Floating on Nylon bearings.
- Without stop.



CODE	C	S	EFFICIENCY	MAX. OUTPUT TORQUE
9036_S07CHXX	55 mm	70 mm	0,6	8 Nm
9036_S10CHXX	79 mm	100 mm	0,6	8 Nm

9014 Fitting flange

STANDARD COLOURS



RAL 7035 RAL 1013 RAL 9010

COLOURS ON REQUEST\*



RAL 9005 RAL 8017

(\* ) Colours on request with minimum order quantity.

(\* ) Colours on request with minimum order quantity.



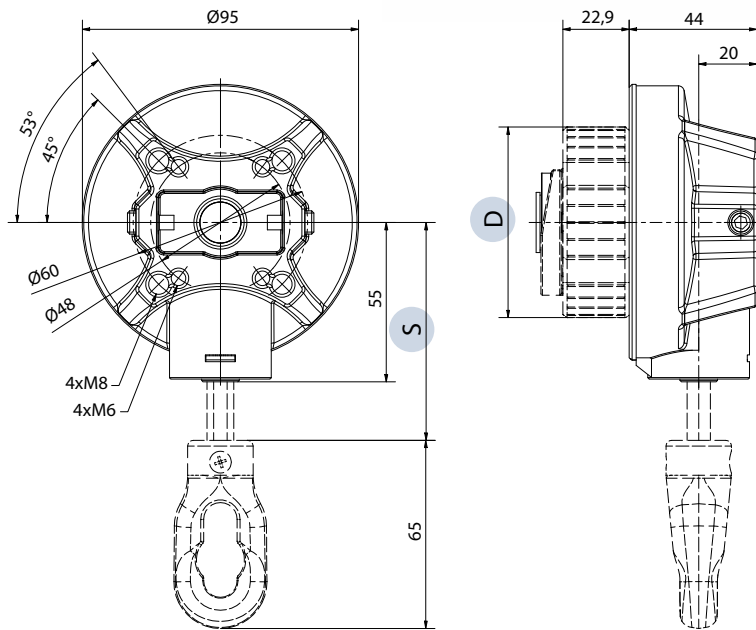
# BEVEL GEAR WITH CLUTCH

APPLICATION



## Ratio 4,6:1

- Case in powder-coated Zamak.
- Face gears in Zamak.
- Limit switch adjustable from outside, max. 19 turns.
- Clutch on lower limit switch.
- Interchangeable adapter for 70, 78 and 85 mm tubes.
- Either left or right assembly.
- One single gear for short or extended eyelet.
- Ideal for small cassette awnings.
- May be used even without limit switch and without clutch.



### COMPATIBLE ACCESSORIES



9300  
Assist spring page 124

## Bevel gear with clutch ratio 4,6:1

CODE	EFFICIENCY	MAX. OUTPUT TORQUE
9080A_XX	0,6	14 Nm

### STANDARD COLOURS

05	03	02
RAL 7035	RAL 1013	RAL 9010

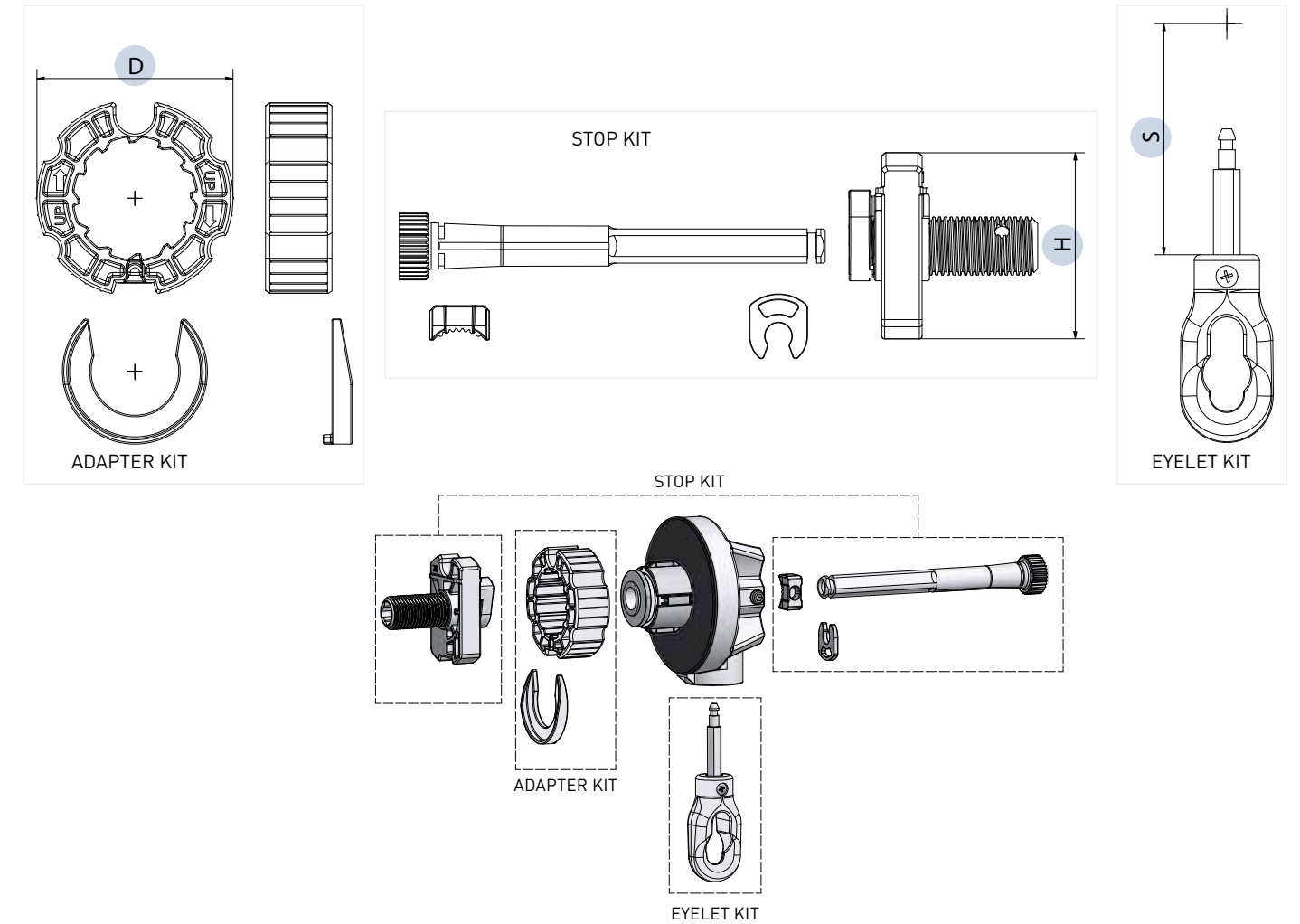
### COLOURS ON REQUEST\*

04	16	06	07
RAL 9005	RAL 9016	RAL 9006	RAL 8017

(\*) Colours on request with minimum order quantity.

XX: Complete the product code with the colour code.

## Gear usage essentials



### Adapter kit

CODE	D
9085CL70	70 mm
9085CL78	78 mm
9085CL85	85 mm

### Eyelet kit

CODE	S
90860C055XX	55 mm
90860C065XX	65 mm
90860C070XX	70 mm
90860C080XX	80 mm
90860C095XX	95 mm
90860C110XX	110 mm
90860C117XX	117 mm

### Stop kit

CODE	H	STOP
9087FC70	70 mm	19 cycles
9087FC78	78 mm	19 cycles
9087FC85	85 mm	19 cycles

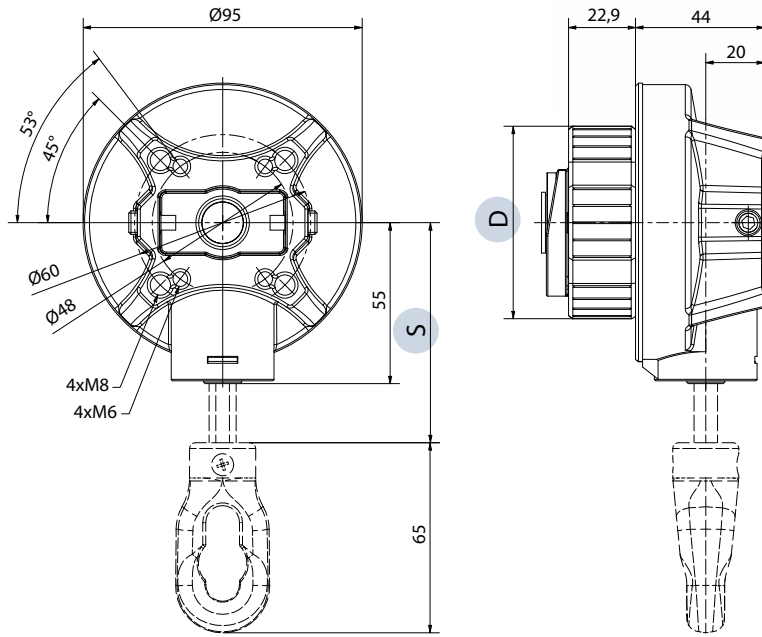
# BEVEL GEAR WITHOUT CLUTCH

APPLICATION



## Ratio 4,6:1

- Case in powder-coated Zamak.
- Face gears in Zamak.
- Limit switch adjustable from outside, max. 19 turns.
- Interchangeable adapter for 70, 78 and 85 mm tubes.
- Either left or right assembly.
- One single gear for short or extended eyelet.
- Ideal for small cassette awnings.
- May be used even without limit switch.



### COMPATIBLE ACCESSORIES

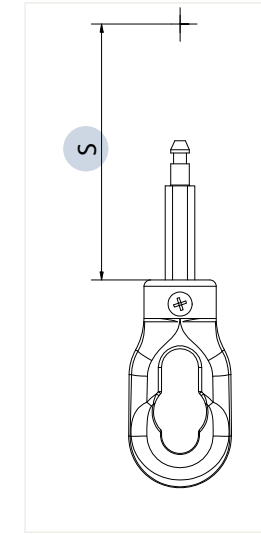


9302  
Assist spring  
page 124

## Gear usage essentials

### Eyelet kit

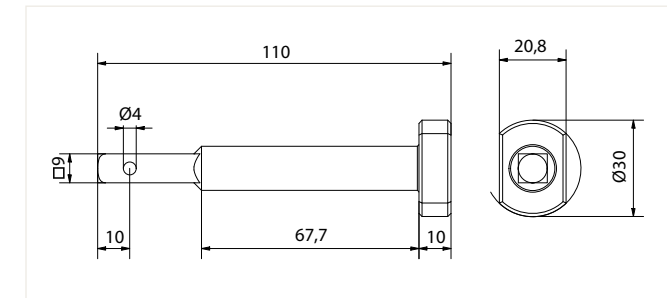
CODE	S
90860C055XX	55 mm
90860C110XX	110 mm



EYELET KIT

### Assist spring kit

CODE	
9088PMC	Accessory to fasten the assist spring to the gear.



ASSIST SPRING KIT

## Bevel gear without clutch ratio 4,6:1

CODE	D	EFFICIENCY	MAX. OUTPUT TORQUE
9080N_00070XX	70 mm	0,6	14 Nm
9080N_00078XX	78 mm	0,6	14 Nm
9080N_00085XX	85 mm	0,6	14 Nm

(\*) Colours on request with minimum order quantity.

XX: Complete the product code with the colour code.

STANDARD COLOURS



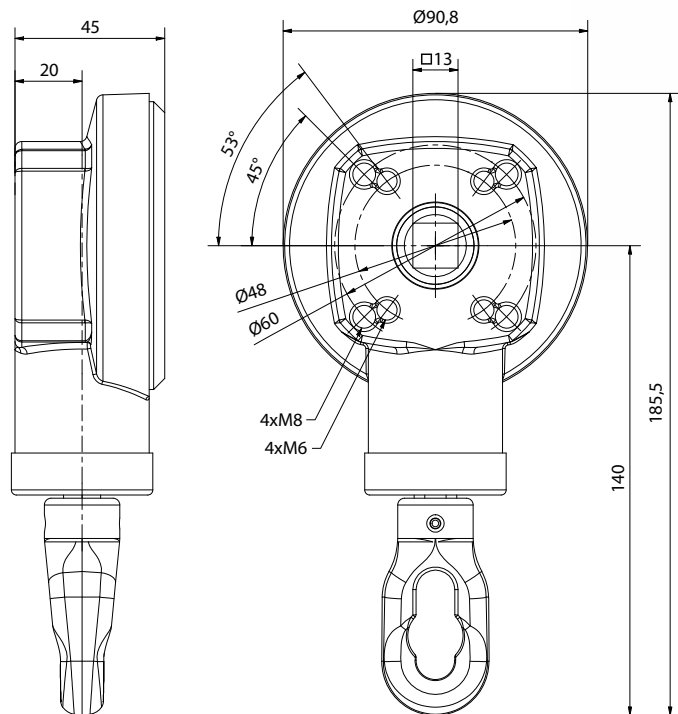
COLOURS ON REQUEST\*



# BEVEL GEAR

## Ratio 5:1

- Case in powder-coated Zamak.
- Gleason bevel gears in Zamak.
- Steel spring brake.
- Eyelet in Nylon.
- With or without stop 17 cycles.



CODE	STOP	EFFICIENCY	MAX. OUTPUT TORQUE
9008AS0713XX	17 cycles	0,59	8,3 Nm
9008NS0713XX	NO	0,59	8,3 Nm

XX: Complete the product code with the colour code.

STANDARD COLOURS

05	03	02
RAL 7035	RAL 1013	RAL 9010

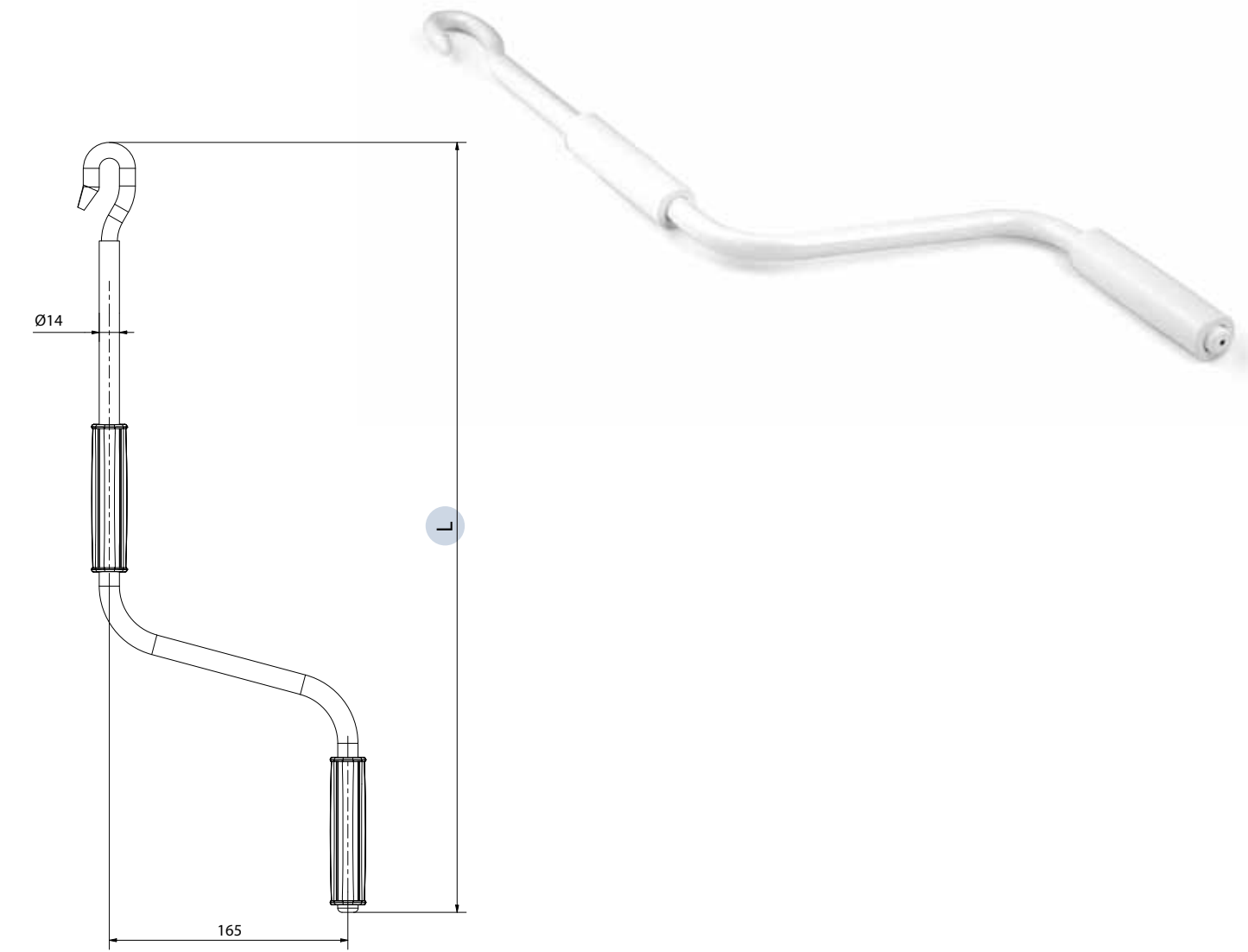
COLOURS ON REQUEST\*

04	16	06	07
RAL 9005	RAL 9016	RAL 9006	RAL 8017

[\*] Colours on request with minimum order quantity.

# CRANK IN POWDER-COATED STEEL

- Crank in powder-coated steel tube  $\varnothing$  14x1,2.
- Handles in shock resistant ABS.
- Hook in zinc-plated and powder-coated steel.



CODE	L	MAX. OUTPUT TORQUE
9100120LCHXX	1200 mm	14 Nm
9100140LCHXX	1400 mm	14 Nm
9100150LCHXX	1500 mm	14 Nm
9100160LCHXX	1600 mm	14 Nm
9100180LCHXX	1800 mm	14 Nm
9100200LCHXX	2000 mm	14 Nm
9100220LCHXX	2200 mm	14 Nm
9100250LCHXX	2500 mm	14 Nm
9100300LCHXX	3000 mm	14 Nm

XX: Complete the product code with the colour code.

STANDARD COLOURS

05	03	02
RAL 7035	RAL 1013	RAL 9010

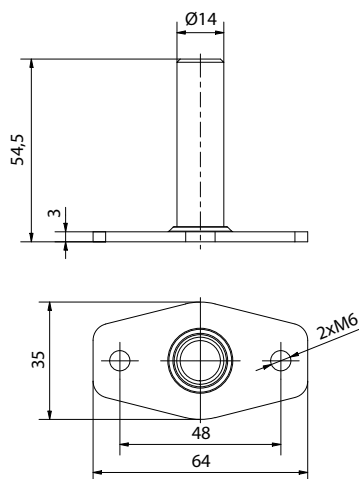
COLOURS ON REQUEST\*

04	06	07
RAL 9005	RAL 9006	RAL 8017

[\*] Colours on request with minimum order quantity.

# PIVOT

- Bracket in zinc-plated steel or stainless steel.



CODE	MATERIAL
950645F	Zinc-plated steel
950645X	Stainless steel



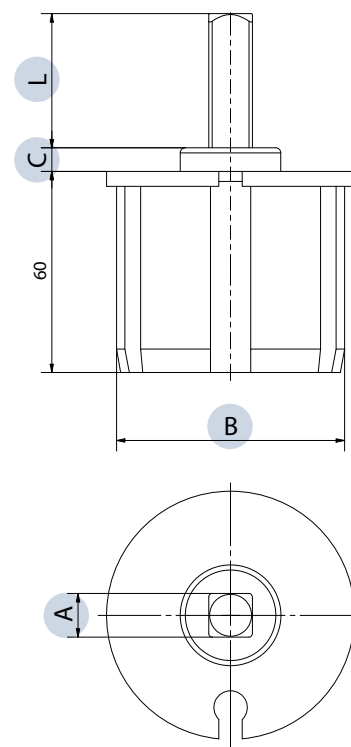
## APPLICATION



# ADAPTER FOR TUBE

## Ø 60, Ø 79, Ø 78

- Structure in polyamide.
- Pivot zinc-plated steel.

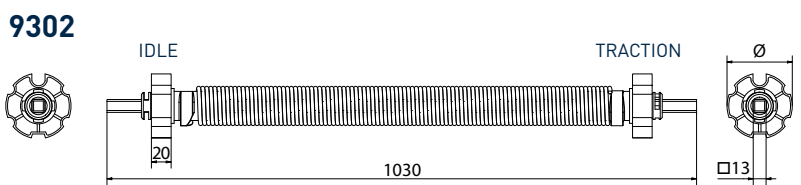
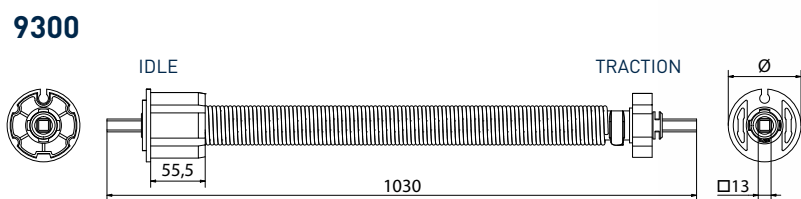
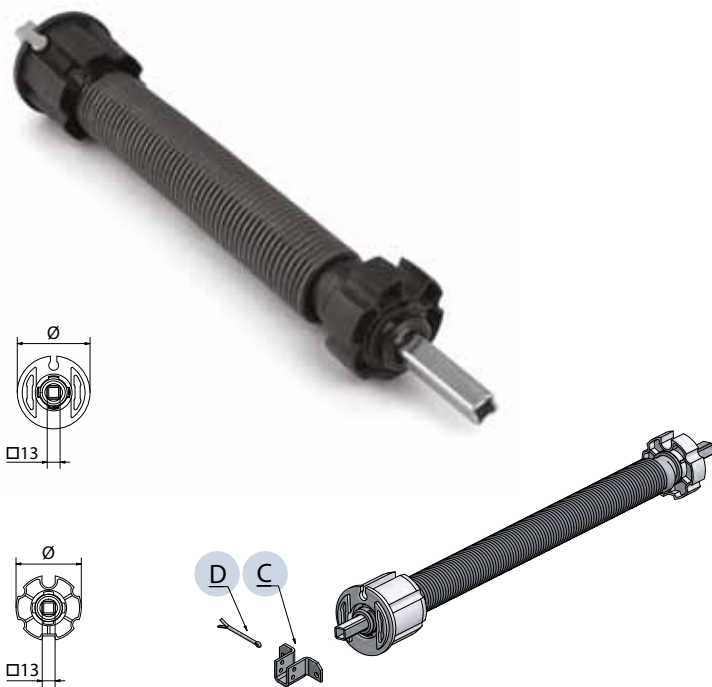


## APPLICATION



# ASSIST SPRING

- Plug in Nylon.
- Steel spring, wire cross section Ø 4 mm x 200 coils.
- Adaptable for left or right traction.
- Maximal turns 21.
- Pre-loading ca. 3 turns.



CODE	C	D	FOR TUBE Ø	TURNS
93007040200			70 mm	max. 21
93007840200			78 mm	max. 21
93027040200			70 mm	max. 21
93027840200			78 mm	max. 21
93028540200			85 mm	max. 21
1130260	Bracket for 9300			
N03013	Split pin			

CODE	A	B	C	L	FINISH/COLOUR
976040CH05	□ 13	Ø 58	7 mm	40 mm	RAL 7035
976120CH05	Ø 12	Ø 58	7 mm	20 mm	RAL 7035
976214CH05	hole Ø 14	Ø 58	7 mm	through hole	RAL 7035
977040CH05	□ 13	Ø 68	7 mm	40 mm	RAL 7035
977120CH05	Ø 12	Ø 68	7 mm	20 mm	RAL 7035
977212CH05	hole Ø 12	Ø 68	7 mm	through hole	RAL 7035
977214CH05	hole Ø 14	Ø 68	7 mm	through hole	RAL 7035
977620CH05	Ø 14	Ø 68	7 mm	20 mm	RAL 7035
987045CH05	□ 13	Ø 68	2 mm	45 mm	RAL 7035
987115CH05	Ø 12	Ø 68	2 mm	15 mm	RAL 7035
977840CH05	□ 13	Ø 76	7 mm	40 mm	RAL 7035
977920CH05	Ø 12	Ø 76	7 mm	20 mm	RAL 7035
978012CH05	hole Ø 12	Ø 76	7 mm	through hole	RAL 7035
978014CH05	hole Ø 14	Ø 76	7 mm	through hole	RAL 7035
978420CH05	Ø 14	Ø 76	7 mm	20 mm	RAL 7035
987845CH05	□ 13	Ø 76	2 mm	45 mm	RAL 7035
987915CH05	Ø 12	Ø 76	2 mm	15 mm	RAL 7035
987925CH05	Ø 12	Ø 76	2 mm	25 mm	RAL 7035

05  
RAL 7035



# GENERAL SALES TERMS

- 1) **Orders** - All orders will only be accepted according to the following conditions.  
We will confirm your order in writing by our Order Confirmation. It is the customer's responsibility to check the order confirmation. Any differences in specification or terms shown on the order confirmation must be notified to Cherubini within 5 days of the date of the order confirmation, otherwise the customer has to accept the goods as shown on the order confirmation.
- 2) **Prices** - Our price list shows only indicative prices. If any extraordinary or unexpected circumstances change the conditions stated at the moment of the contract the company has the right to change prices with a prior notice. Any price negotiations, conducted by agents or sub-agents, require the authorisation of Cherubini before these prices can become operable.
- 3) **Delivery** - Goods are shipped at the buyer's risk, even if these parts are being shipped for a free delivery shipment.
- 4) **Payments** - Cherubini retains the ownership of the goods until all payments have been made for them. The payment of the amount of the invoice must be paid within the terms and conditions indicated on the invoice. Failure to make payments in accordance with these terms and conditions may incur the imposition of a 3% penalty interest rate higher than the official discount rate of the moment.
- 5) **Deliveries** - Deliveries will be made in accordance with our normal trading terms and conditions. However, should any unforeseen circumstance arise which precludes a delivery being made, the customer will have no rights to seek compensation of any kind from Cherubini.
- 6) **Claims** - The goods will be considered completely accepted by the customers after 8 days from their receiving. All claims must be in writing and sent to Cherubini by registered letter within eight days of the customer receiving the goods. In case of goods subject to a manufacturing defect, such goods will be replaced ex works as quickly as possible.  
No claims will be allowed for direct or consequential loss arising from damage caused by the operation of our products. All replacement of product will be authorised and carried out only by Cherubini. Any delay in payment by the buyer will nullify all sales agreements.
- 7) **Controversy** - All disputes arising from any matter resulting from the supply of product to a customer will only be settled by the Law Court of Brescia, Italy.

## **Cherubini S.p.A.**

Via Adige, 55 - 25081 Bedizzole (BS) - Italy Tel.  
+39 030 6872 039  
info@cherubini.it  
www.cherubini.it

## **Cherubini Iberia S.L.**

Avda. Unión Europea 11-H - Apdo. 283  
P. I. El Castillo - 03630 Sax - Alicante - Spain  
Tel. +34 966 967 504 - Sat +34 966 969 024  
info@cherubini.es  
www.cherubini.es

## **Cherubini France SAS**

ZI Du Mas Barbet  
165 Impasse Ampère - 30600 Vauvert - France  
Tél. +33 (0) 466 77 88 58  
info@cherubini.fr  
www.cherubini.fr

## **Cherubini Deutschland GmbH**

Rotter Viehtrift 4 a - 53842 Troisdorf - Germany  
Tel. +49 (0) 2241 2669974  
Fax +49 (0) 2241 2669973  
info@cherubini-group.de  
www.cherubini-group.de

## **Cherubini Türkiye**

Ritim Istanbul - D-100 Güney Yanyolu  
Cevizli Mahallesi, Zuhul Caddesi  
34846 Maltepe - Istanbul - Turkey  
Tel/Fax +90 (0) 216 515 6287  
info@cherubini.com.tr  
www.cherubini.com.tr

## **Sales Switzerland:**

Andrea Grisolia  
Mobil +41 (0) 79 431 81 71  
andrea.grisolia@cherubini.it

